



Spare Parts Catalogue

ASKO Tumble Dryers \ ASKO 05 Generation
Type: TD70A
Model: 7005 US white

Prod. No: 1077005
January 14th 2013

ASKO Appliances Inc.

4001 E Plano Parkway #1004001 E Plano Parkway #100
Plano, Texas 75074

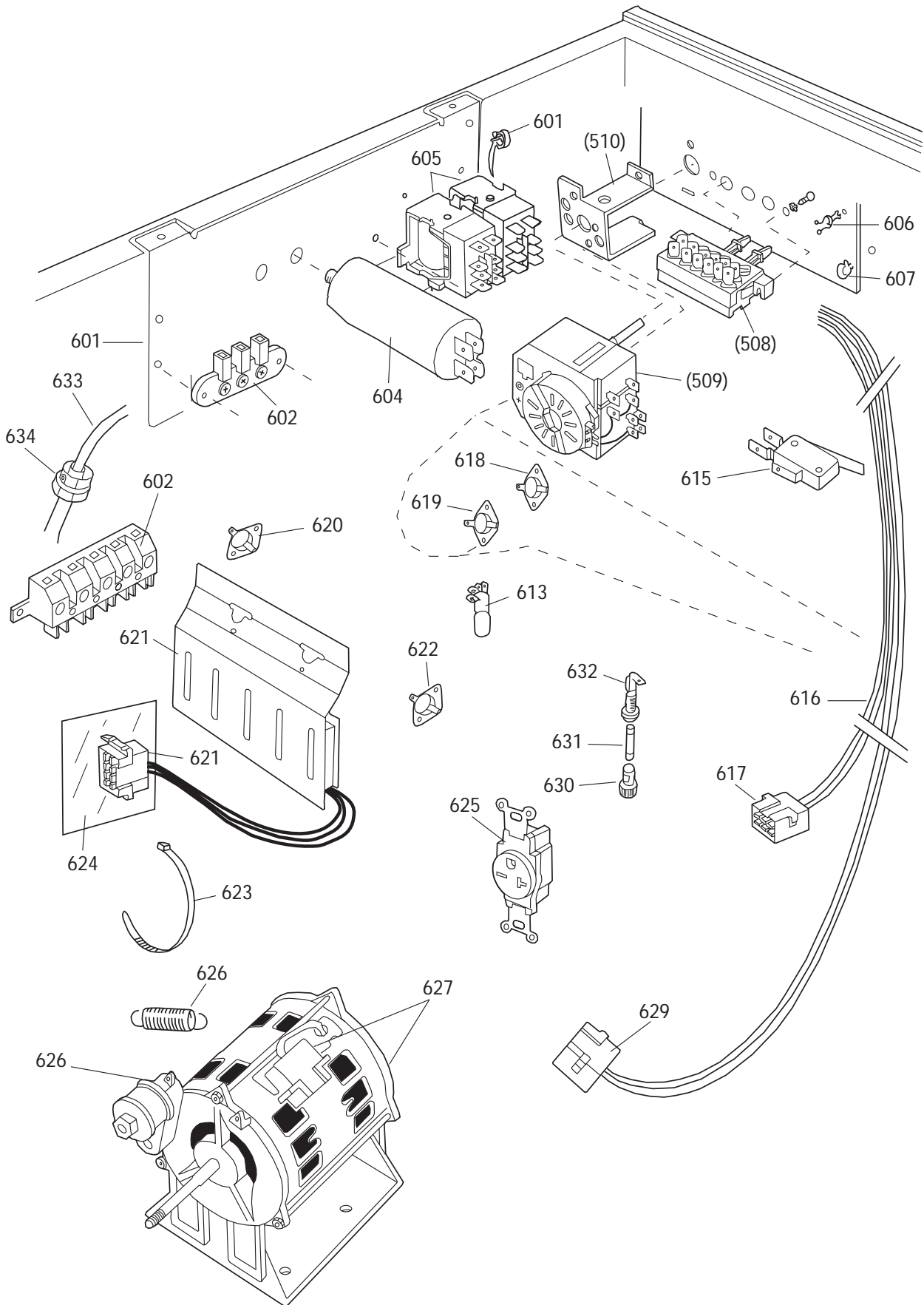
Datum

2003-05-23

Date

ELEKTRISK UTRUSTNING

ELECTRICAL EQUIPMENT



Electrical Equipment

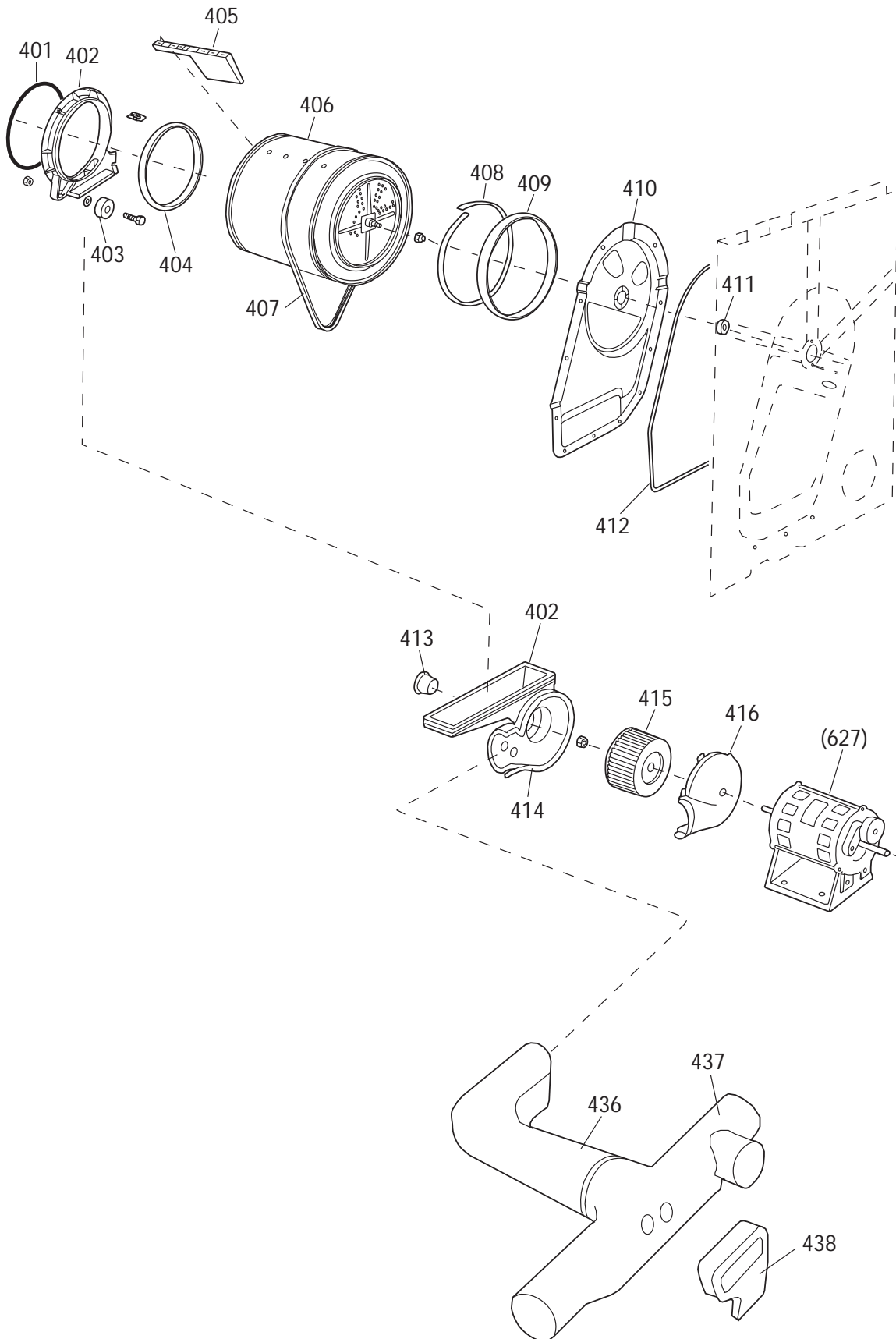
ASKO, 7005 US - white (TD70A)

Pos	Spare part No.	Description	Qty	Comment
601	8052635	Mounting Plate - Elec.	1 Pc's	
601-a	8054485	Cable Strip	1 Pc's	
601-b	8901097	Screw Terminal	2 Pc's	
601-c	8901413	Lock Washer laundry tops	2 Pc's	
602	8060461	NLA-T-BLOCK w/screws 30 Amp WM/TD	1 Pc's	
602-a	8901097	Screw Terminal	1 Pc's	
602-b	8901413	Lock Washer laundry tops	1 Pc's	
602-c	8901968	Screw	2 Pc's	
602-d	33700183	Terminal	1 Pc's	
604	8054268	Capacitor Dryer Motor 02/05	1 Pc's	
604-a	8901168	Nut - Electrical	1 Pc's	
604-b	8901419	Lock Washer	1 Pc's	
605	8064179	Relay 10 terminals WM	1 Pc's	
606	8053338	Cable Bracket	1 Pc's	
607	8060677	Cable Holder	1 Pc's	
615	8053107	Micro Switch Dryer 03/05	1 Pc's	
616	8053605	CABLE F THERMOSTAT	1 Pc's	
616	8060948	Cable Set for Contactor *	1 Pc's	
617	7382811	Terminal Block	1 Pc's	
618	8001543	T-Stat 60C 1303/53/TD701	1 Pc's	
618-a	8900311	Screw	1 Pc's	
619	8001444	T-Stat Low Temp T720	1 Pc's	
619-a	8900311	Screw	1 Pc's	
620	8008807	T-Stat 115C Auto Reset TD	1 Pc's	
620-a	8900369	Screw T25	1 Pc's	
621	8056060	Heating Element Dryer 04 & 05	1 Pc's	
621-a	8901895	Terminal Pin Block 8	1 Pc's	
622	8008487	T-Stat Man. Reset TD	1 Pc's	
622-a	8900369	Screw T25	1 Pc's	
624	8053773	NLA-Splash Guard Con	1 Pc's	
625	8061455	Receptacle 05 WMD Connect	1 Pc's	
626	8056910	Motor/Dryer 03/05	1 Pc's	
626-a	8800576	NLA-Terminal Block	1 Pc's	
626-b	8077254	Spring Tension Arm	1 Pc's	
626-c	8801214	Tension Wheel	1 Pc's	
629	8901894	Terminal Block	1 Pc's	
630	8801354	Fuse Holder Assembly	2 Pc's	For units produced before wk 34 2002
631	8058140	Fuse	1 Pc's	
632	8801354	Fuse Holder Assembly	2 Pc's	For units produced before wk 34 2002
633	8063972	CORD SET 30A/250V SRDT AWG10/4	1 Pc's	
634	8060462	Grommet	1 Pc's	
634	8060463	Lock Nut	1 Pc's	

Datum
2003-05-23
Date

TRUMMA, FLÄKT

DRUM AND RELATED PARTS



Drum/Motor & Related Parts

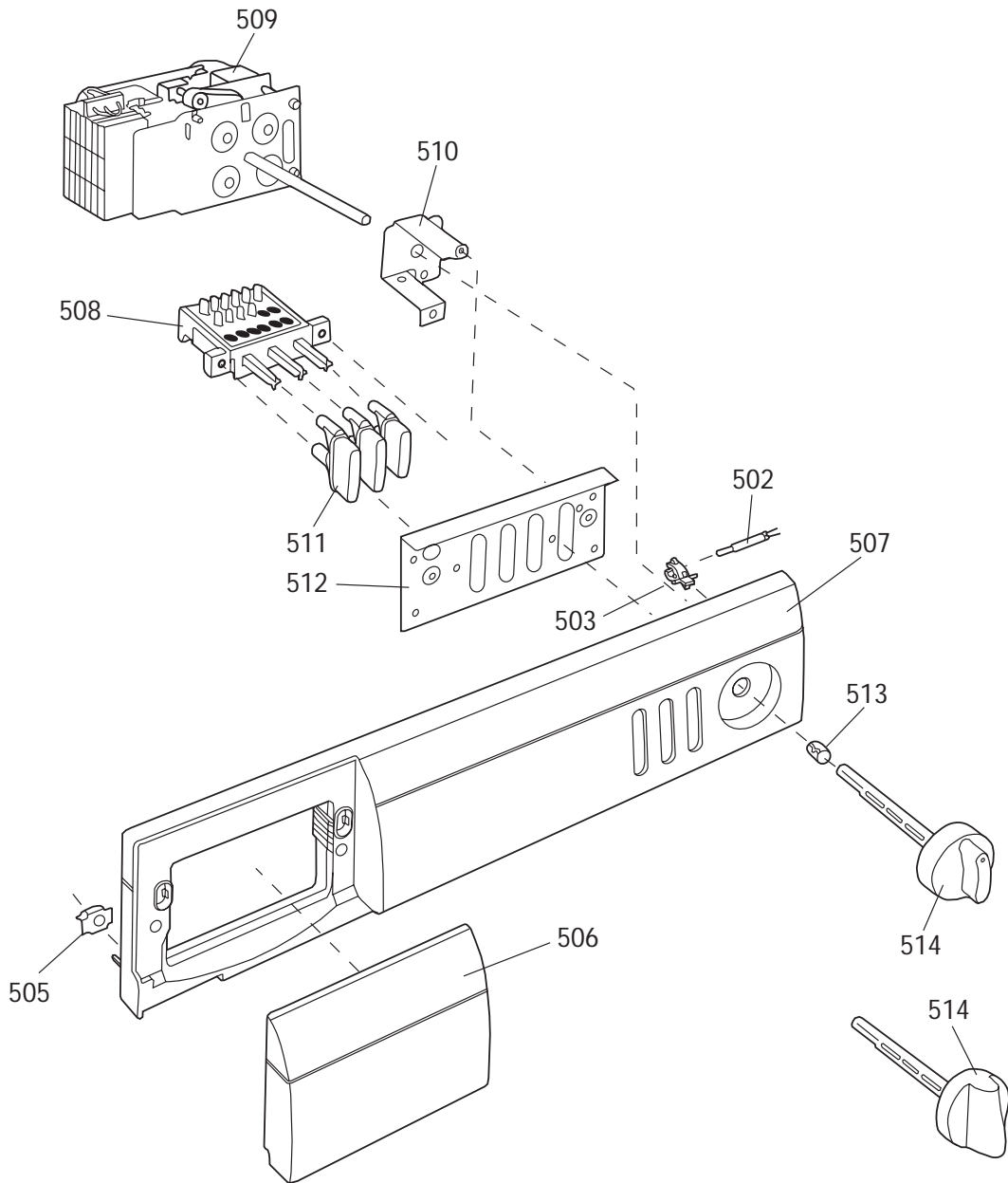
ASKO, 7005 US - white (TD70A)

Pos	Spare part No.	Description	Qty	Comment
401	8057040	Front Seal 03/05 TD	1 Pc's	
402	8061444	Front Condenser Housing	1 Pc's	
403	8093182	Drum Roller Frt TD	1 Pc's	
403-a	8060477	Screw	2 Pc's	
403-b	8901193	Locking Nut	2 Pc's	
403-c	8901337	Washer	2 Pc's	
404	8801041	Felt Strip	1 Pc's	
405	8052589	Paddle	1 Pc's	
405-a	8902099	Screw	10 Pc's	
406	8061433	Drum Dryer 03/05	1 Pc's	
406-a	8052632	Bushing Rear Drum 03/05 TD	1 Pc's	
406-b	8901130	screw	1 Pc's	
406-c	8901155	Nut	1 Pc's	
406-d	8901337	Washer	1 Pc's	
407	8052626	Belt 03/05 TD	1 Pc's	
408	8055054	Felt Strip Clamp Rear	1 Pc's	
409	8052649	Felt Strip -Rear	1 Pc's	
410	8052587	Rear Panel	1 Pc's	
410-a	8900369	Screw T25	15 Pc's	
410-b	8901155	Nut	1 Pc's	
410-c	8901337	Washer	1 Pc's	
410-d	8901415	LOCK WASHER AZ 5.3 GALV	2 Pc's	
411	8004439	Bearing Dryer Rear Panel All	1 Pc's	
413	8901807	Plug	1 Pc's	
415	8055200	Blower Dryer Front All	1 Pc's	
416	8052584	Fan Casing	1 Pc's	
436	8052639	Exhaust Canal Bend	1 Pc's	
437	8052638	T-Tube w/o Recirc holes	1 Pc's	

Datum
2003-05-23
Date

PANEL

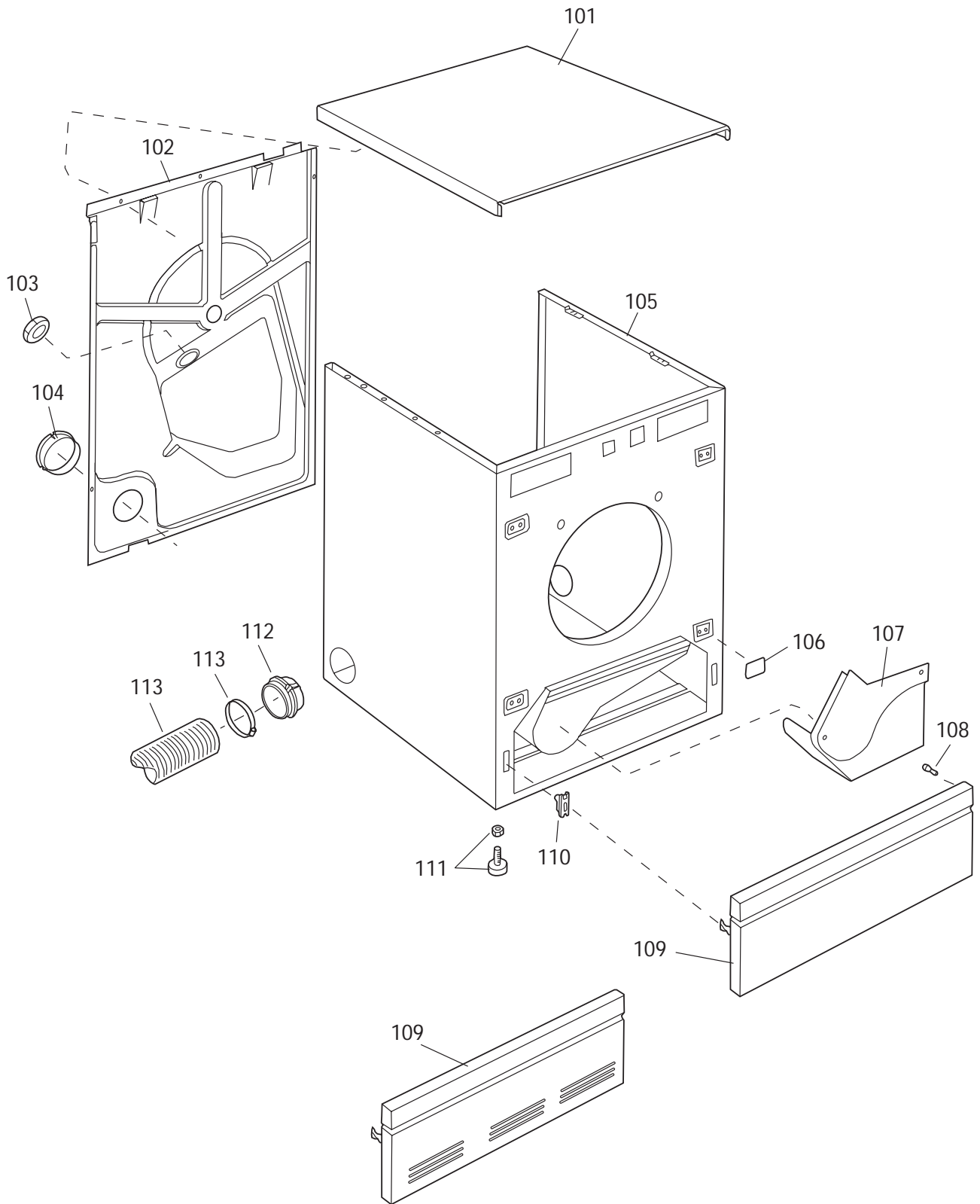
CONTROL PANEL



Control/Facial Panel

ASKO, 7005 US - white (TD70A)

Pos	Spare part No.	Description	Qty	Comment
502	8060478	Ind. Lamp 600's WM	1 Pc's	
503	8060415	Lens Ind. WM80/90/100/120/70	1 Pc's	
505	8901591	Clip/Panel 600-700's	5 Pc's	
506	8059674-0-UL	Handle Dryer 7005/7305 Wht	1 Pc's	
507	8060753-0-UL	Control Panel 7005	1 Pc's	
507-a	8902042	Screw Protective Cover Dryer	4 Pc's	
508	8007969	Switch/Selector 7003/04/05	1 Pc's	
508-a	8900944	Screw Toe Kick 20 Torx	2 Pc's	
509	8053125	Timer	1 Pc's	
509-a	8900944	Screw Toe Kick 20 Torx	2 Pc's	
510	8053126	Timer Bracket	1 Pc's	
510-a	8902362	Screw 20 Torx Self Tapping	1 Pc's	
510-b	8901413	Lock Washer laundry tops	1 Pc's	
511	8059702-0	Push Button 02	3 Pc's	
512	8053183	Mounting Plate	1 Pc's	
512-a	8902362	Screw 20 Torx Self Tapping	4 Pc's	
512-b	8901413	Lock Washer laundry tops	2 Pc's	
514	8061195-0	Knob Dryer Complete 05	1 Pc's	



Cabinet & Related Parts

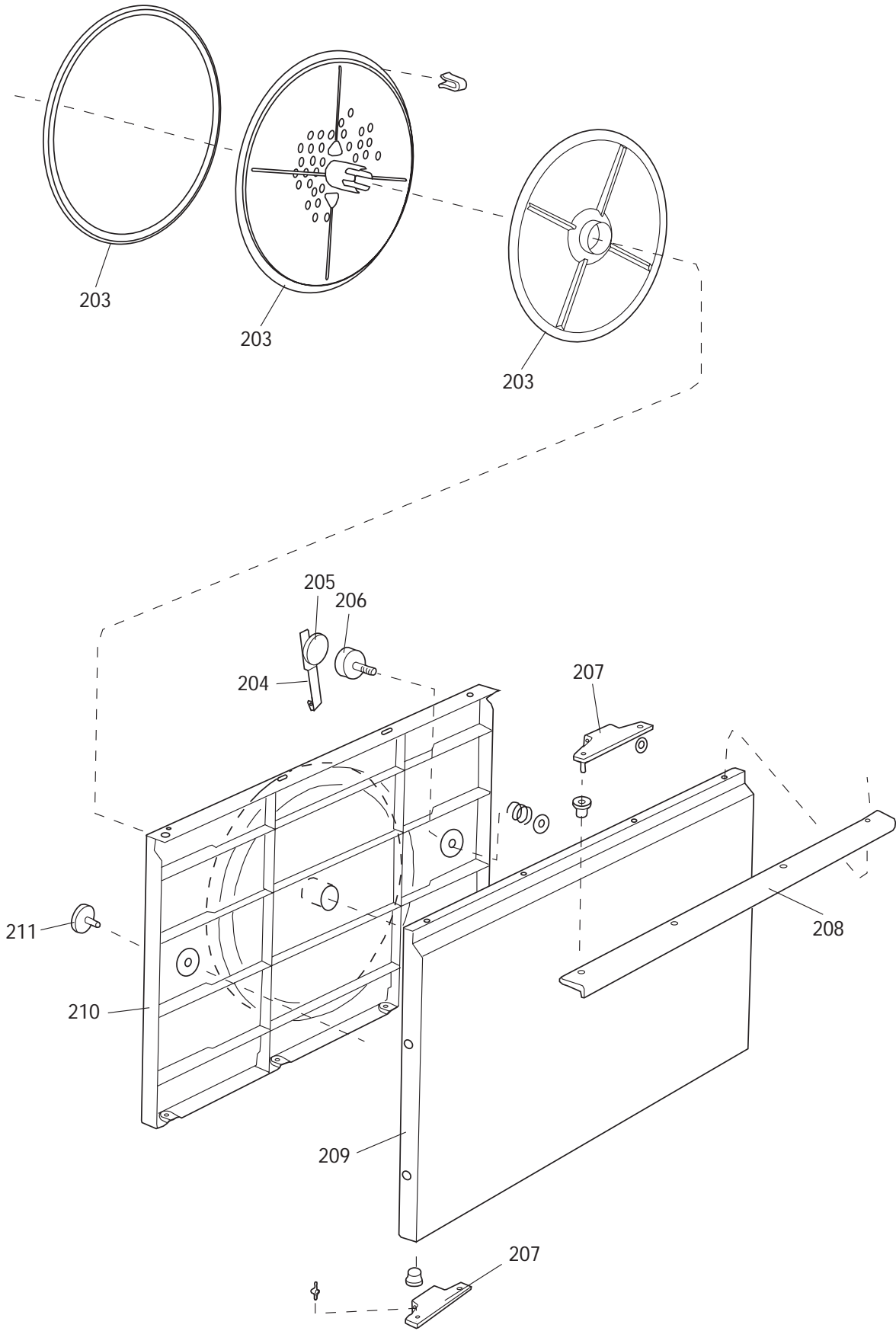
ASKO, 7005 US - white (TD70A)

Pos	Spare part No.	Description	Qty	Comment
101	8057035-0	Top Dryer 03/05 WH	1 Pc's	
101-a	8900369	Screw T25	3 Pc's	
101-b	8901415	LOCK WASHER AZ 5.3 GALV	3 Pc's	
102	8061488	Rear Panel Dryer	1 Pc's	
102-a	8900369	Screw T25	11 Pc's	
102-b	8901415	LOCK WASHER AZ 5.3 GALV	2 Pc's	
103	8052650	Diaphragm - Overheat	1 Pc's	
104	8052640-0	Lid Exhaust Canal	2 Pc's	
105	8061223-0	Outer Casing	1 Pc's	
105-a	8902066	Screw	4 Pc's	
106	8056041-0	Cover Plate for Hinge Pin	2 Pc's	
107	8053103	Guard Fan Casing	1 Pc's	
107-a	8902042	Screw Protective Cover Dryer	2 Pc's	
108	7382154	Rubber Buffer WM 03/05	4 Pc's	
109	8050651-0	Lower Cover 73/70	1 Pc's	
109-a	8050841	Grommet	2 Pc's	
109-b	8900746	Screw	2 Pc's	
109-c	8901497	SPEEDNUT SNU 0536	2 Pc's	
111	8003338	Rubber Foot	4 Pc's	
112	8052641	Collar Vent Exhaust - TD	1 Pc's	

Datum
2003-05-23
Date

YTTERLUCKA

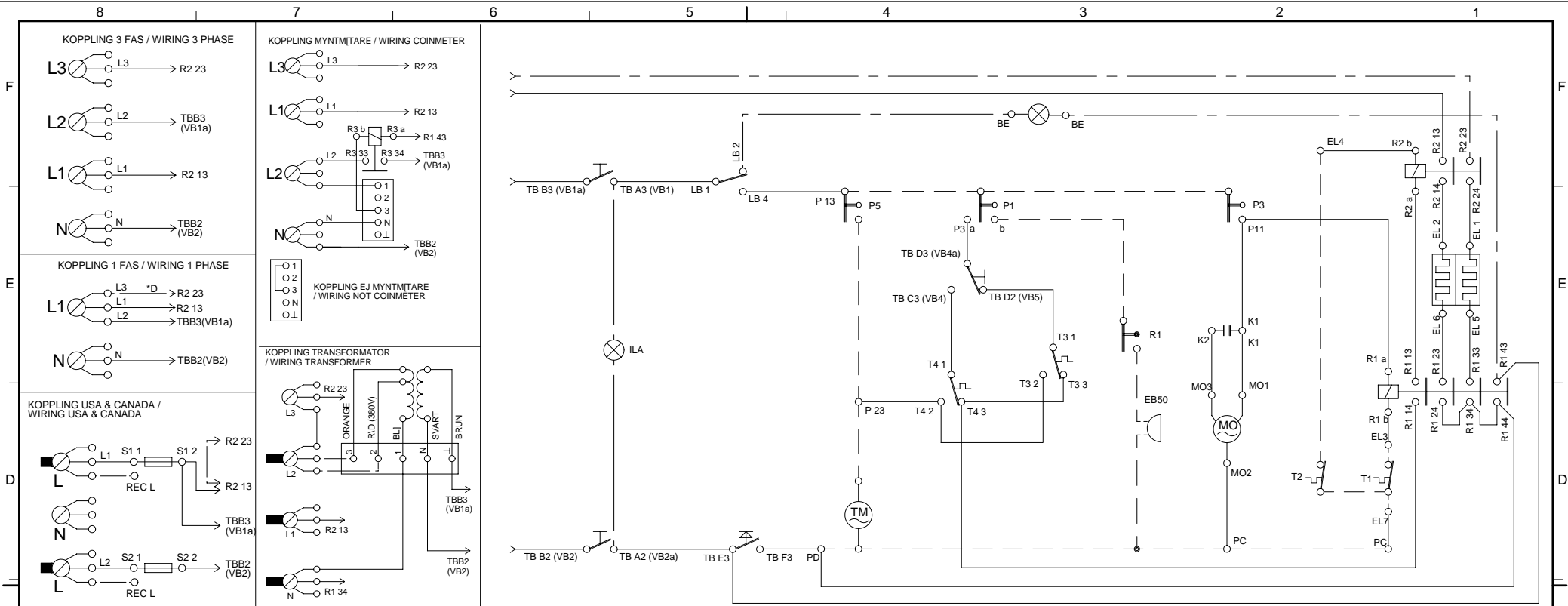
OUTER DOOR



Door & Related Parts

ASKO, 7005 US - white (TD70A)

Pos	Spare part No.	Description	Qty	Comment
203	8061402	Lint Filter 03/04/05	1 Pc's	
203-a	8052567	Filter Bracket	1 Pc's	
203-b	8056940	Seal Lint Filter 03/04/05 TD	1 Pc's	
203-c	8901592	Filter Dryer Clip	4 Pc's	
206	8052615	Magnet	1 Pc's	
206-a	8053328	Spring	1 Pc's	
206-b	8900946	Screw	1 Pc's	
206-c	8901395	Rivet Washer	1 Pc's	
207	8053104-0	Hinge Upper	2 Pc's	
207-a	8004824-0	Bearing - White Door 03/04 TD	2 Pc's	
207-b	8052612	Hinge Pin	2 Pc's	
207-c	8900369	Screw T25	4 Pc's	
208	8056421-0	Handle	1 Pc's	
208-a	8053339-0	Plug Door White	1 Pc's	
208-b	8902068	Screw	12 Pc's	
209	8052564-0	Outer Door White Dryer 03/05	1 Pc's	
210	8052565	Inner Door Dryer 03/04/05	1 Pc's	
211	8053118	Cover Plate	1 Pc's	



- *D EJ INKLUDERAD I 10 A 1-FAS/NOT INCLUDED IN 10 A 1-PHASE
- | | | |
|-----|----------------------|------------------------|
| REC | UTTAG TVÄTTMASKIN | OUTLET WASHING-MACHINE |
| EL | ELEMENT | HEATER |
| K | KONDENSATOR | CAPACITOR |
| MO | MOTOR | MOTOR |
| BE | INNERBELYSNING | INTERNAL ILLUMINATION |
| TB | TRYCKBRYTARE | PUSH BUTTON SWITCH |
| VB | VRIDBRYTARE | ROTARY SWITCH |
| TM | PROGRAMVERKSMOTOR | TIMERMOTOR |
| LB | LUCKBRYTARE | DOORSWITCH |
| T1 | TERMOSTAT (MAN.\.H.) | THERMOSTAT (MAN.O.H.) |
| T2 | TERMOSTAT (AUT.\.H.) | THERMOSTAT (AUT.O.H.) |
| T3 | TERMOSTAT (HÖG) | THERMOSTAT (HIGH) |
| T4 | TERMOSTAT (LÅG) | THERMOSTAT (LOW) |
| R | RELÄ | RELAY |
| BO | BOTTEN | BOTTOM |
| ILA | INDIKERINGSLAMP | INDICATIONLAMP |
| P | PROGRAMVERK | TIMER |
- — INTERN FÖRBINDNING/INTERNAL COONECTION
 - - - - ALTERNATIV FÖRBINDNING/ALTERNATIVE CONNECTION
 () FÖR MASKINER MED VRIDBRYTARE / FOR MACHINES WITH ROTARY SWITCH

PROGRAMSTART		START POSITION		Timeline (0-60s)											
SKRITT	STEP	a	b	Timeline (0-60s)											
P1	ELEMENT	HEATER	a	[Active from 5s to 60s]											
P1	SIGNAL	BUZZER	b	[Active from 5s to 60s]											
P3	STARTRELÄ	START RELAY		[Active from 5s to 60s]											
P5	TIMERMOTOR	TIMERMOTOR		[Active from 5s to 60s]											
	STEGTID (SEK.)	STEPTIME (SEC.)		Timeline (0-60s)											

R1	SIGNAL	BUZZER	[Active from 5s to 60s]											
----	--------	--------	-------------------------	--	--	--	--	--	--	--	--	--	--	--

60*2=120 sec.

Article No.	Name of item	Qty	Material, dimensions, type, etc.
Scale:	Gen. tolerance:	Description(English) CIRCUIT DIAGRAM TD 70A	
Designed by P-A W	Drawn by CAD	Description(own language) KOPPLINGSSCHEMA TD 70A	
Drawing checked by	Iss by Dept UT 95	Year 95	Week 13
80 609 73			Rev Ind Replace
			Replaced by

Rev ind	Revision	Appd	Year	Week
---------	----------	------	------	------