

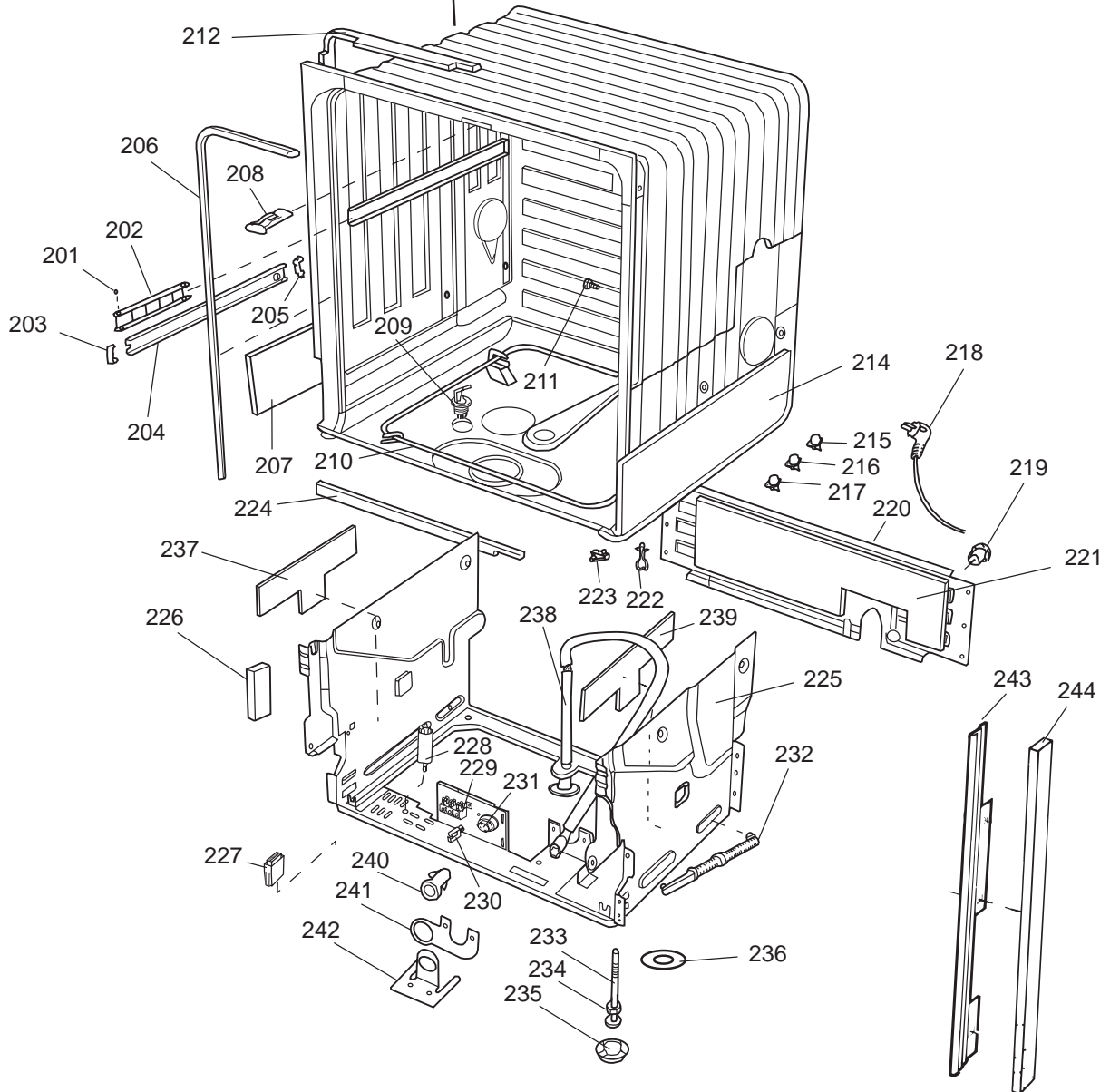
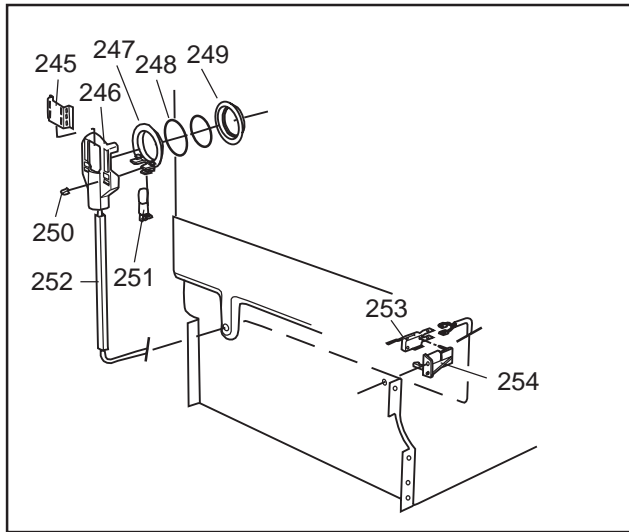
Spare Parts Catalogue

Dishwashers \ 05 Generation
Type: DW955
Model: 1895 US White SI

Prod. No: 1071895
November 15th 2004

AM Appliances Group

P.O. Box 851805 • Richardson • TX 75085-1805
789 N. Grove Road • Suite 103 • Richardson • TX 75081



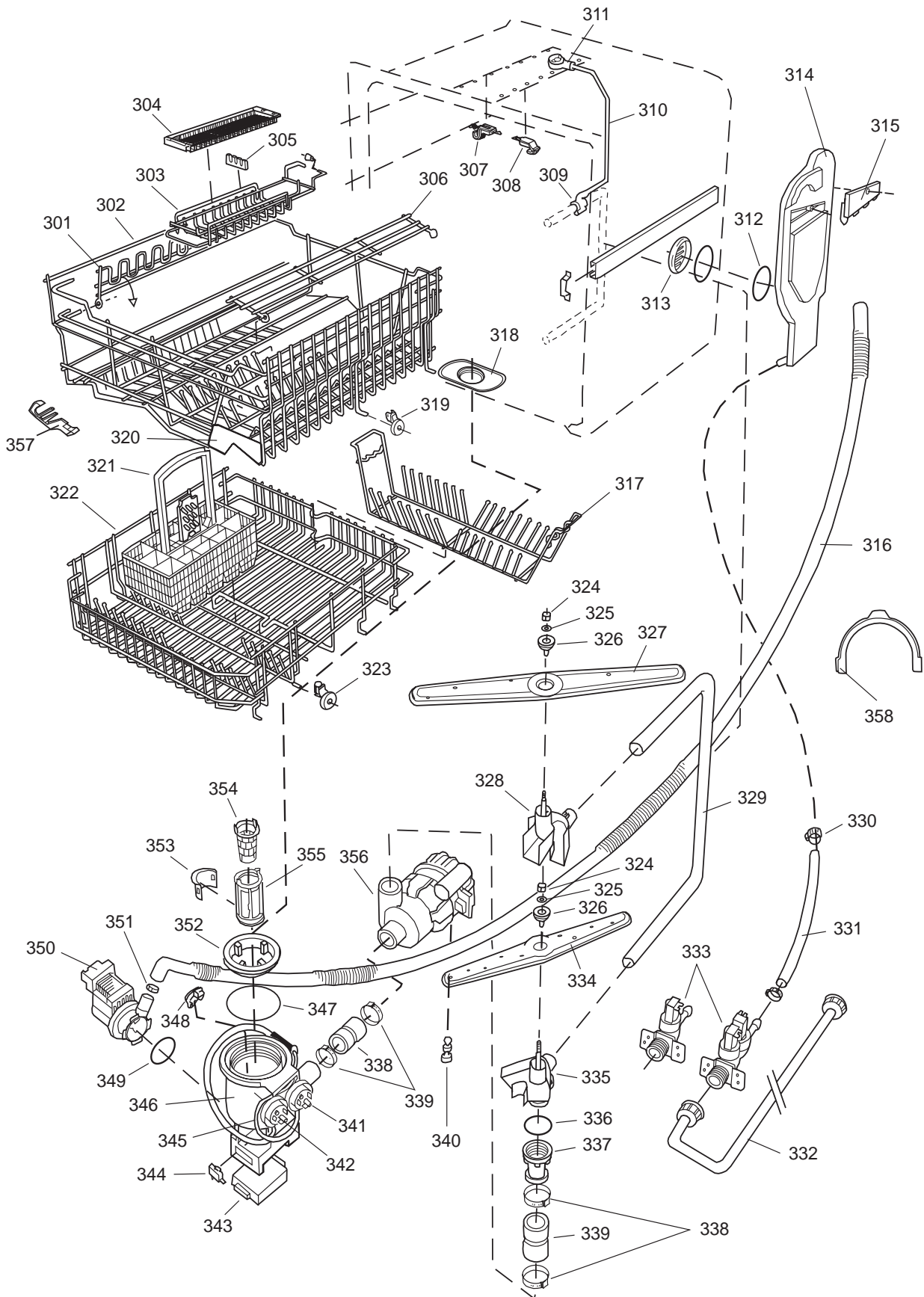
Container and related parts

ASKO, 1895 US - White SI (DW955)

Pos	Spare part No.	Description	Qty	Comment
201	8057977	Bearing Upper Rail 05/06 DW	8 Pcs	
202	8058638-77	Ball Holder, Upper Rail DW	2 Pcs	
203	8057979-77	Rack Stop Grey 05/06 DW	2 Pcs	
204	8057052	Guide Rail '05 '06 DW	2 Pcs	
205	8057978-77	Rail Stop - Back Grey 05/06	2 Pcs	
206	8057489	Tub Seal 05/06 DW	1 Pcs	
207	8060034	Sound absorbing slab,casing	1 Pcs	
208	8801098	Lock Catch Kit 05'06 D/W	1 Pcs	
210	8002370	Protective Collar	2 Pcs	
210	8057077	Heating Element DW 05/06 140	1 Pcs	
211	8901110	Screw w/O-Ring DW 05/06 25-T	4 Pcs	
212	8060065	Sealing Strip '05	1 Pcs	
212	8060066	Sealing Strip, casing '05	1 Pcs	
214	8060035	Sound absorbing slab,casing	1 Pcs	
216	8002579	T-Stat 05/06 DW Overheat	1 Pcs	
222	8070142	Cable holder, rear 05	1 Pcs	
223	8058495	Cable holder, door 05	1 Pcs	
224	8060033	Sound Absorb	1 Pcs	
225	8057523	Bottom and Side support '05	1 Pcs	
226	8060038	Sound absorb, slab motor '05	2 Pcs	
228	8058558	RFI 05/06 WM	1 Pcs	
229	8050251	Terminal Block DW All	1 Pcs	
229-a	8900357	Screw, terminal block	1 Pcs	
230	8059991	Cable holder, supply line 05	1 Pcs	
231	8006948	Grommet	1 Pcs	
232	8060232-77	Door Spring - Heavy Duty DW	2 Pcs	
233	8057062	Subs to 8074877	4 Pcs	
234	8901156	Nut, Levelling Legs	4 Pcs	
235	8051957	Slide, foot 02 DW	2 Pcs	
236	8072119	Washer	4 Pcs	
239	8058352	Sound Absorb Outer	2 Pcs	
241	8060255	No longer Avail. po# 8008- H	1 Pcs	
242	8070495	Inlet Valve Mount	1 Pcs	
242-a	8900327	Screw 20 Torx, Self Tapping	2 Pcs	
245	8054916	Reflector, light DW	1 Pcs	
246	8054915	Protection Lamp	1 Pcs	
247	8053087	Interior Light, Housing All	1 Pcs	
247-a	8901097	Screw, Terminal	1 Pcs	
247-b	8901242	Nut	1 Pcs	
247-c	8901413	Lock Washer, laundry tops	1 Pcs	
248	8901763	O-Ring, Interior Light All D	1 Pcs	
249	8053086	Lock Ring Light 05/06 DW	1 Pcs	
250	8901592	Filter Dryer Clip	2 Pcs	
251	8055148	Interior Light Bulb DW	1 Pcs	
252	8059968	Cable channel, light 05	1 Pcs	
253	8058469	Micro switch, light 05	1 Pcs	
254	8054907	BRACKET, LAMP SWITCH	1 Pcs	
254-a	8902087	Screw, Plastic Housing 20 To	1 Pcs	

DISKSYSTEM

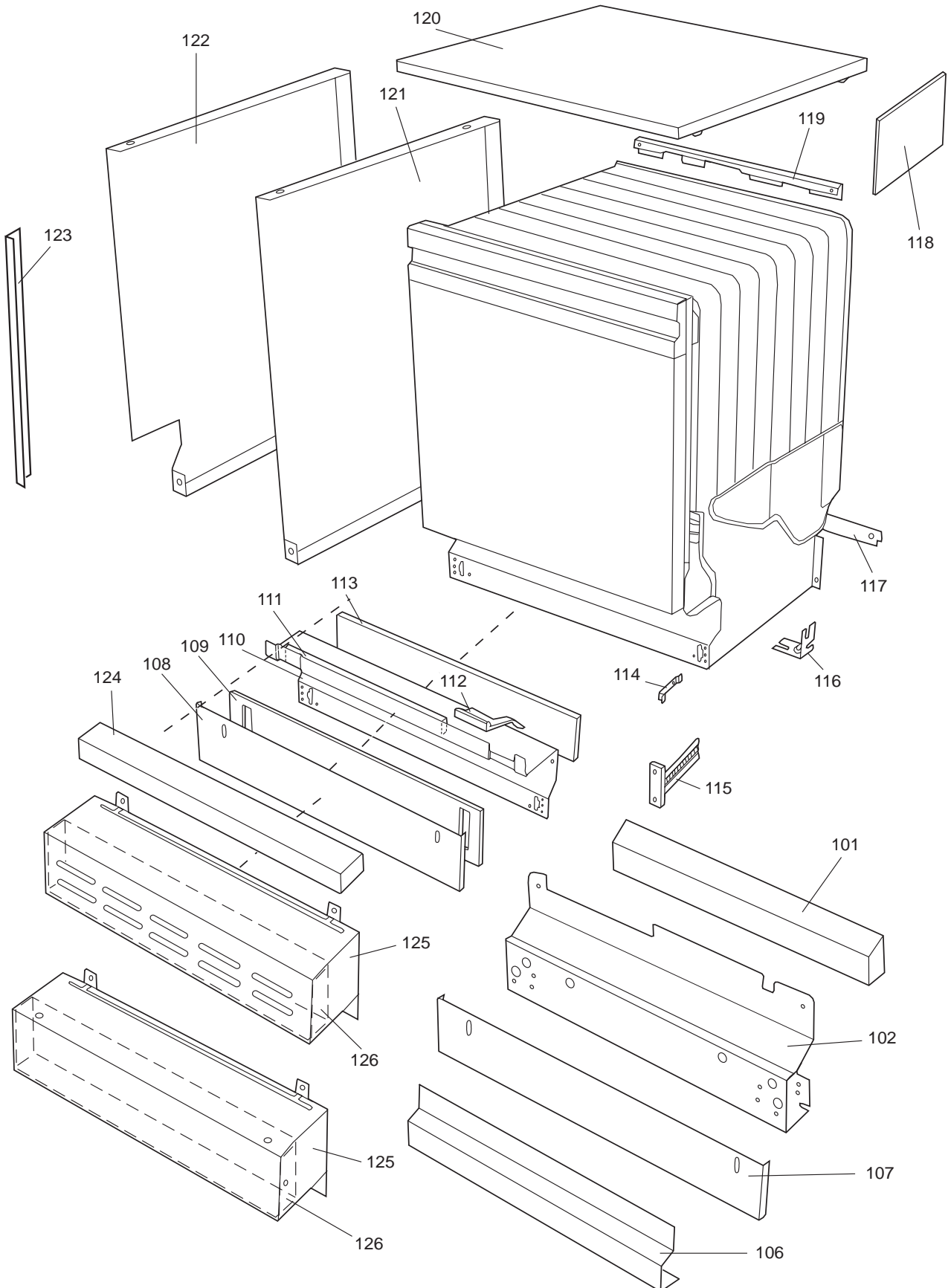
DISHWASHING SYSTEM



Dishwashing system

ASKO, 1895 US - White SI (DW955)

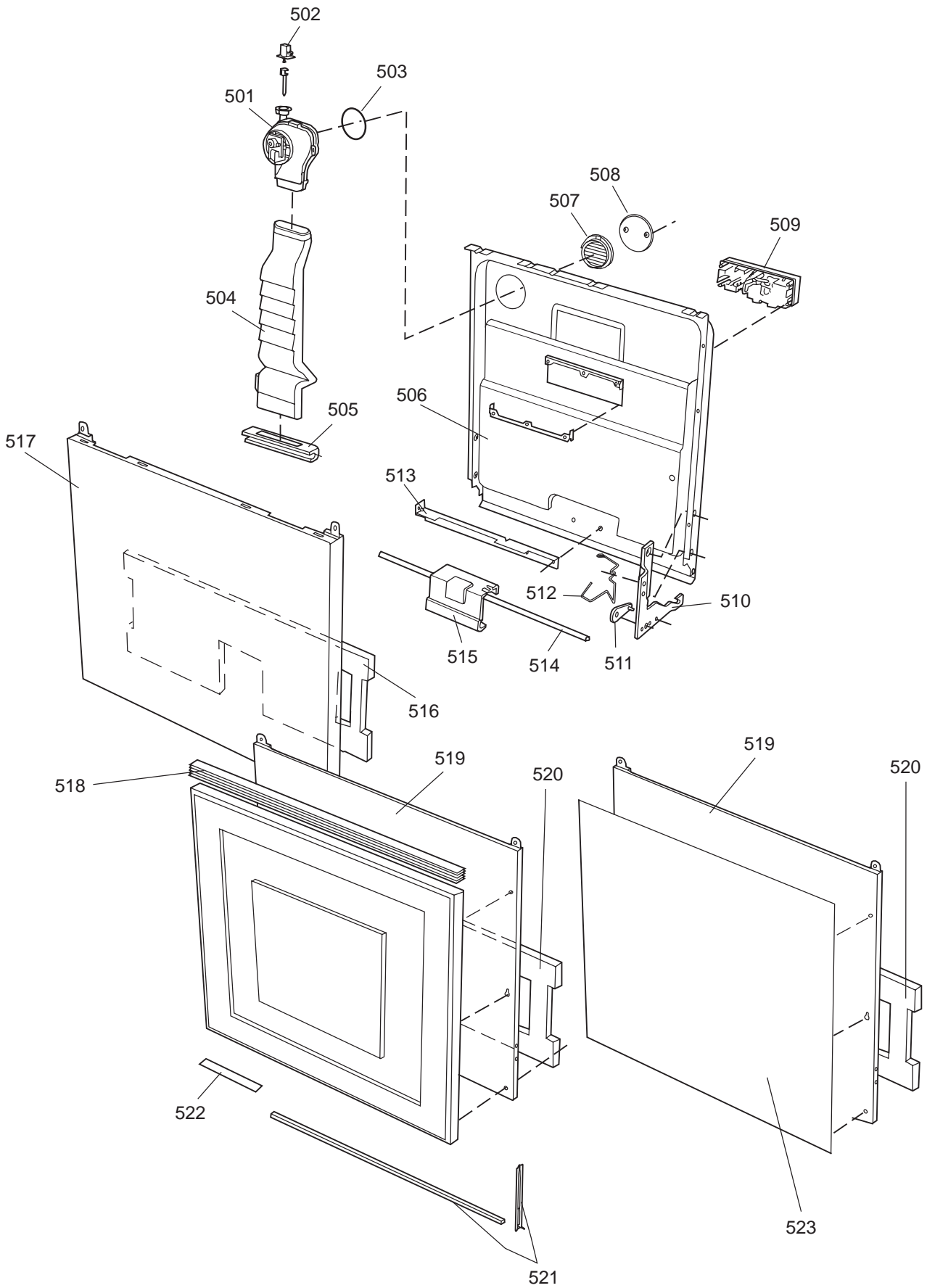
Pos	Spare part No.	Description	Qty	Comment
301	8071337-36	Cup Shelf Wine Glass 05/06 D	1 Pcs	
302	8801199-36	Rack, Upper 05 & 06 DW	1 Pcs	with cup shelf
303	8057058-36	Basket knife box 05	1 Pcs	
304	8053376-77	Long Rack - Silverware Upper	1 Pcs	
305	8057505-77	Knife Holder DW 05/06	1 Pcs	
306	8071336-36	Cup Shelf 05/06 DW	1 Pcs	
307	8057502	Clip, Upper Knife Rack DW	1 Pcs	
308	8058453	Clip, Knife Basket 1800's DW	1 Pcs	
309	8057504-77	Spray Pipe Grommet Lower Gre	1 Pcs	
310	8057500	Spray pipe 05	1 Pcs	
311	8057503-77	Spray Pipe Grommet Upper Gra	1 Pcs	
313	8057536-77	Lockring Airbreak Gray	1 Pcs	
314	8057514	Sub To 8801234	1 Pcs	
316	8070304	Drain Hose 05/06 DW	1 Pcs	
316-a	8052239	Hose Clamp, Squeeze	1 Pcs	
316-b	8053642	Hose Clip	1 Pcs	
318	8059740	Strainer Upper 05/06 DW	1 Pcs	
319	8058498-77	Wheel, Upper Basket 05/06 DW	4 Pcs	
321	8801089-77	Cutlery Basket 05/06 DW	1 Pcs	
322	8801200-36	Lower Basket 05/06 DW	1 Pcs	
323	8009516-77	Rack Wheels Lower 05/06 DW	8 Pcs	
324	8901262	Nut for Spray Arm 05	2 Pcs	
325	8052095	Ceramic Washer, Spray Arm 05	2 Pcs	
326	8057070-77	Spray Arm Insert 05/06 DW	2 Pcs	
327	8072695	Spray Arm - Upper 05/06 DW	1 Pcs	
328	8057068-77	Spray Pipe Bearing Upper	1 Pcs	
329	8057063-D	Spray pipe w/upper cutlery	1 Pcs	
329	8057063	Spray pipe, inner 05	1 Pcs	
330	8052189	Hose Clamp, Squeeze	2 Pcs	
331	8070622	Ruber Hose	1 Pcs	
333	8072123	Fill Valve, Double 05/06 DW.	1 Pcs	
333-a	8902087	Screw, Plastic Housing 20 To	2 Pcs	
334	8072692	Spray Arm - Lower 05/06 DW	1 Pcs	
335	8057067-77	Lower Washarm Support 05/06	1 Pcs	
336	8901755	O-Ring Seal	1 Pcs	
337	8057069	Retainer Nut SprayArm 05/06	1 Pcs	
338	8052097	Hose Clamp, Circ. Pump 05/06	4 Pcs	
339	8057484	Hose, Circ. Pump 05/06 DW	2 Pcs	
340	8055095	BUFFER, Circumpump 03/04 DW	1 Pcs	
341	8071024	Level Switch 05/06 DW	1 Pcs	
343	8057053	Subs to 8075110	1 Pcs	
344	8060068	Micro Switch,Overfill 05/06	1 Pcs	
345	8058500	Hose Pressure Sw. 05/06 DW	1 Pcs	
346	8801123	Replaces 8075197-77. Sump 05	1 Pcs	
347	8058503	O-Ring, Sump 05/06 DW	1 Pcs	
348	8057487-79	Sump Plug DW 05/06 Cleanout	1 Pcs	
349	8002584	O-Ring, Drain Pump 05/06 DW	1 Pcs	
350	8057083	DRAINPUMP Repl.by 8072032	1 Pc's	
350	8072032	Drain Pump 05/06 DW	1 Pcs	
351	8052239	Hose Clamp, Squeeze	1 Pcs	
352	8057488	Locking ring, bottom well 05	1 Pcs	
353	8058454	Cover Str. Basket 05/06 DW	1 Pcs	
354	8057972-77	Strainer Basket Grey 05/06 D	1 Pcs	
355	8057486-77	Filter, fine 05 & 06 DW	1 Pcs	
356	8071250	Circ. Pump 05/06 DW	1 Pcs	
356-a	8075380	capacitor D3000	1 Pcs	
358	8072528-77	Holder Outlet Hose	1 Pcs	
358	8050805	GOOSE NECK for DRAIN HOSE	1 Pcs	



Casing and related parts

ASKO, 1895 US - White SI (DW955)

Pos	Spare part No.	Description	Qty	Comment
107	8057528-0	KICKING PLATE LOW WHITE DW95	1 Pcs	
107-a	8900944-0	Screw, white 20 torx	2 Pcs	
108	8057529-0	Kick Plate White '05	1 Pcs	
108-a	8900944-0	Screw, white 20 torx	2 Pcs	
109	8060087	FELT KICKING Repl.by 8074585	1 Pcs	
109	8074585	Felt, Kick Plate '05	1 Pcs	
110	8057526	Guard Plate DW05 & 06	1 Pcs	
110-a	8902357	Screw	4 Pcs	
111	8060041	Sealing strip, protect plte	1 Pcs	
112	8058486	Drip Guard Overflow 05/06 DW	1 Pcs	
113	8058353	Sound Absorb Guard	1 Pcs	
114	8057550	Spring Adj. Bracket 05/06 DW	2 Pcs	
114-a	8902131	Screw, disc.jh 11-99	2 Pcs	
115	8057549	Bracket/Toe Kick 05/06 DW	2 Pcs	



Door and related parts

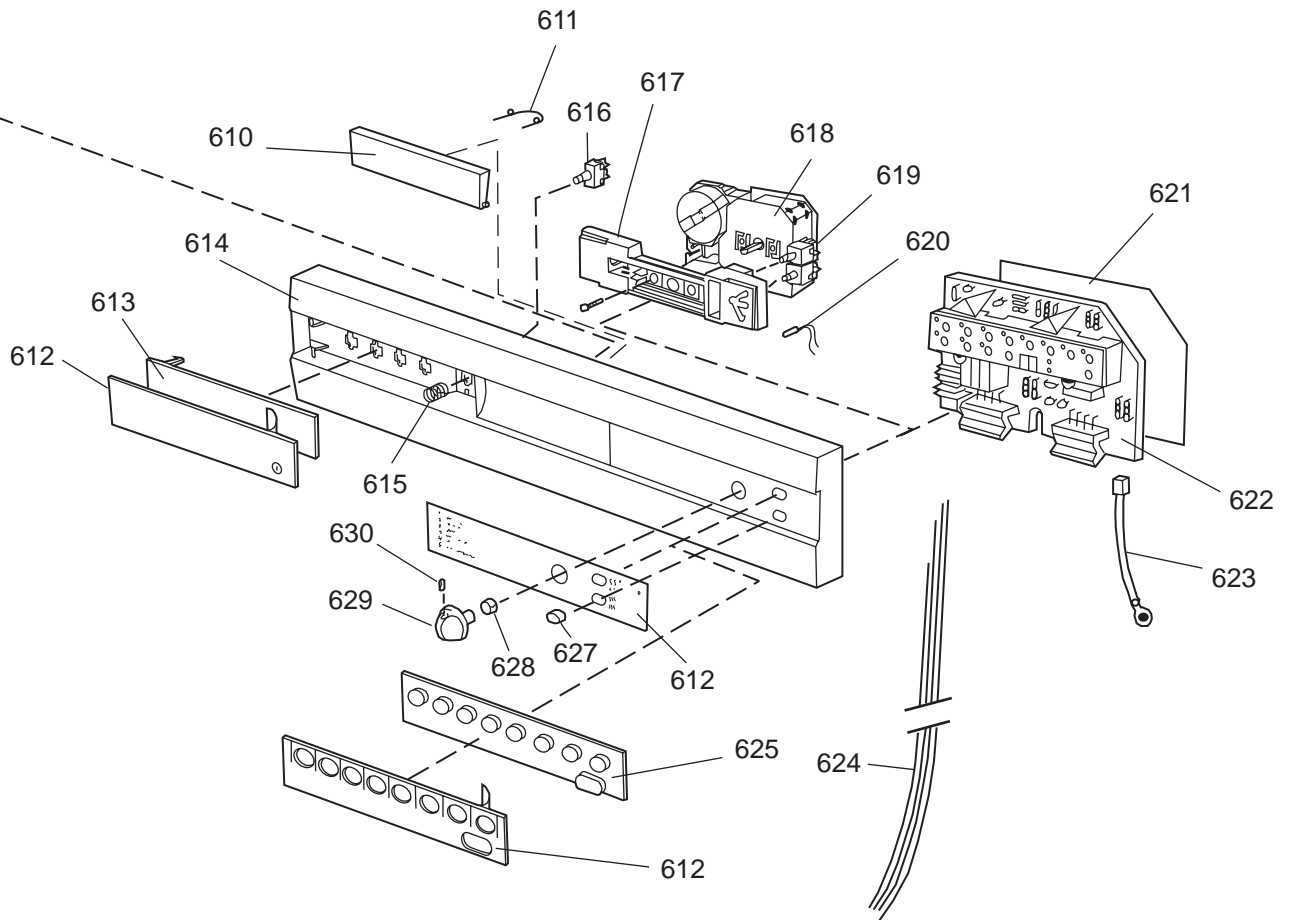
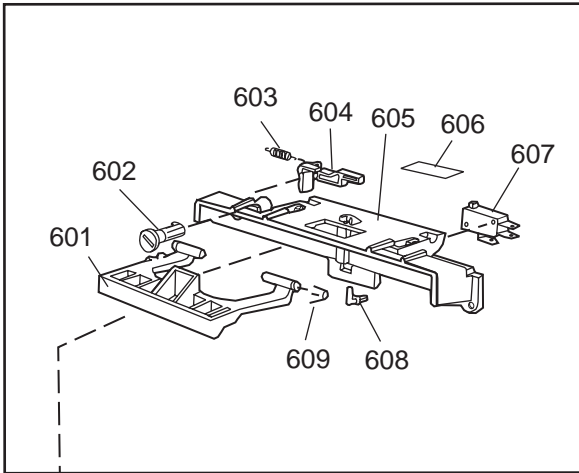
ASKO, 1895 US - White SI (DW955)

Pos	Spare part No.	Description	Qty	Comment
501	8052778	WAX MOTOR DW 05/06	1 Pcs	
501	8060021	Turbo Fan Complete 05/06 DW	1 Pcs	
503	8058501	O-Ring Turbo Fan Dry 05/06 D	1 Pcs	
504	8057963-P	Air Channel Adj. 1895 FI	1 Pcs	
505	8072732-0	Nozzle Air Duct	1 Pcs	
505	8072297-0	NOZZLE AIR DUCT INTEG. COMPL.	1 Pc's	
505	8801189	KIT,NOZZLE AIR DUCT INT.	1 Pc's	
505	8059891-77	END PLUG LEFT GREY	1 Pc's	
505	8059892-77	END PLUG RIGH GREY	1 Pc's	
506	8801120	Inner Door Integrated 05/06	1 Pcs	
507	8057964	Locking ring, turbo fan 05	1 Pcs	
507-a	8902085	Screw 20T for Plastic	2 Pcs	
508	8058484	SS Coverplate Turbo Fan DW	1 Pcs	
508-a	8902085	Screw 20T for Plastic	2 Pcs	
509	8801140-77	Combi Disp.	1 Pcs	
510	8057524	Hinge Right DW 05/06	1 Pcs	
510	8057525	Hinge, left DW 05/06	1 Pcs	
510-a	33500262	Nut - Term Block	1 Pcs	
510-b	8057530	Screw, hinge 05	1 Pcs	
510-c	8902120	Screw 20 Torx Machine	2 Pcs	
511	8057948	Slide washer, hinge bearing	2 Pcs	
512	8073612	Bracket for Harness	1 Pcs	
513	8058487	STAY AIR CANNEL DW95	1 Pc's	
513-a	8900646	Screw 20 Torx SS	2 Pcs	
513-b	8902357	Screw	2 Pcs	
514	8060254	Lower Seal,Inner Door 05/06	1 Pcs	
515	8057985	Outer Door Lower Stay 05/06	1 Pcs	
515-a	8902357	Screw	2 Pcs	
516	8060080	SOUND ABSORP. INNER DOOR COMBI	1 Pc's	
518	8070293-0	Subs to 8070672-0	1 Pcs	
519	8074801-PT	DOOR OUTER INTEGR. ADJUST.	1 Pc's	
519	8057986-PT-0	DOOR OUTER INTEGR. ADJUST. WH.	1 Pc's	
519	8074801-PT-0	DOOR OUTER INTEGR. ADJUST. WH.	1 Pc's	
519-a	8900646	Screw 20 Torx SS	6 Pcs	
520	8070294	Sound Insulation DW Ft. Door	1 Pcs	
521	8070363	Adjustable Frame Comp Door	1 Pcs	
521	8070350-0	PLUG 10/13	2 Pc's	
521-a	8902133	SCREW MRT-GF M5x8 COMB T25 FZB	2 Pc's	
522	8070801	STEAMBLOCKING FOIL WOOD DOOR	1 Pc's	

Datum
2003-03-24
Date

PANEL

CONTROL PANEL AND RELATED PARTS



Control panel and related parts

ASKO, 1895 US - White SI (DW955)

Pos	Spare part No.	Description	Qty	Comment
601	8060233	Handle 1895	1 Pcs	
605	8057539	Bracket 4 Switch/Handle 05/0	1 Pcs	
605-a	8902085	Screw 20T for Plastic	2 Pcs	
606	8071098	Cover for Micro Switch	1 Pcs	
607	8055473	Door Switch - DW 05/06	1 Pcs	
608	8057542	Actuator, Doorswitch 05/06 D	1 Pcs	
609	8007078	Spring 02 Handle, DW	1 Pcs	
610	8059849-0	Handle Cover White 05	1 Pcs	
611	8059850	Spring Door Handle	1 Pcs	
612	8070505-0	DEC.INSERT ASKO 1895 WHITE US	1 Pcs	
614	8071681-0	Control Panel Int Asko Compl	1 Pcs	
614	8057538-0	back for decor insert	1 Pcs	
621	8060076	Cover, protective 05	1 Pcs	
622	8801202	Board 1895/Custom	1 Pcs	
622-a	8071485	SCREW PTK 40X50/25 WN1452 FZY	2 Pcs	
622-b	8071486	SPACER	2 Pcs	
623	8059767	Thermistor 05/06 DW	1 Pcs	
624	8070066	Cable set 1895	1 Pcs	
624	8059861	BASIC HARNESS DOOR DW95E	1 Pcs	
624	8059865	Basic Harness	1 Pcs	
690	8073096	INSTR. GENERAL D/WASHER USA	1 Pcs	
690	8070233	INSTRUCTIONS 1895 CA/US	1 Pcs	