

**ASKO**  
BUILT TO LAST LONGER

## Spare Parts Catalogue

Dishwashers \ 05 Generation  
Type: DW955  
Model: 1895 US Black SI

Prod. No: 1071895-BK  
November 15th 2004

**AM Appliances Group**

P.O. Box 851805 • Richardson • TX 75085-1805  
789 N. Grove Road • Suite 103 • Richardson • TX 75081

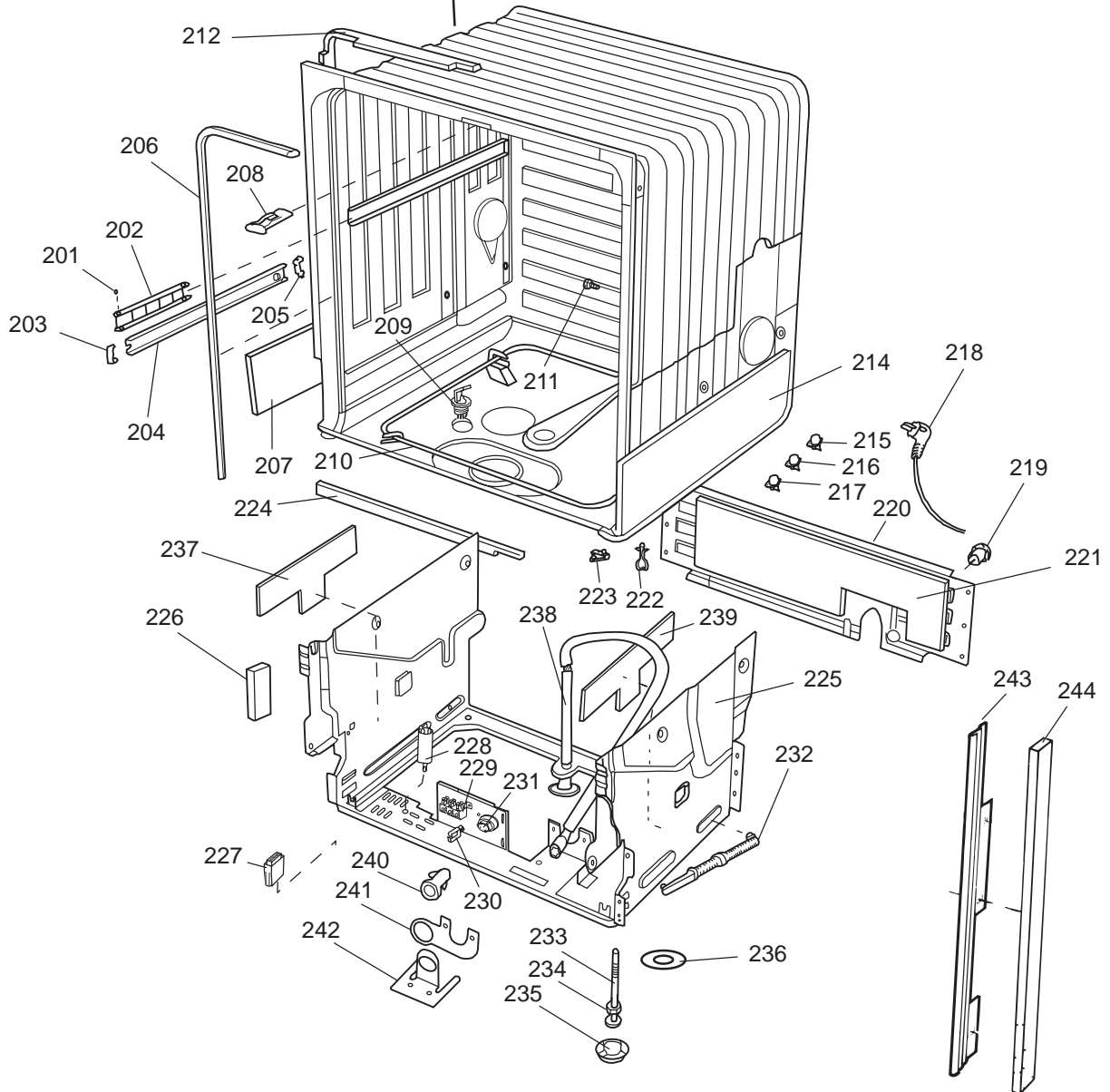
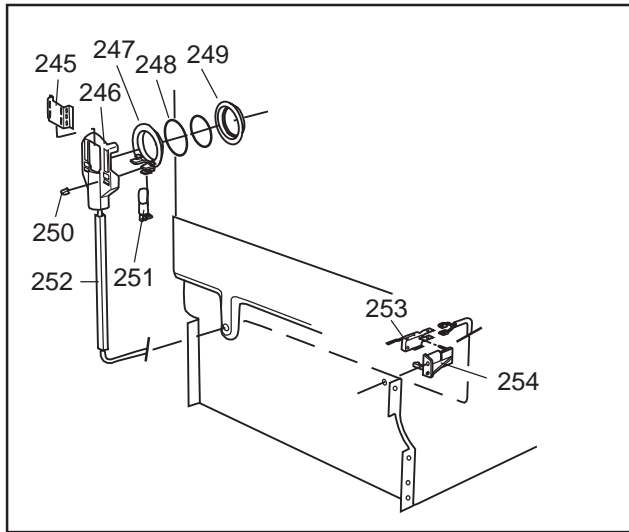
Datum

2003-03-24

Date

## BEHÅLLARE

## CONTAINER AND RELATED PARTS



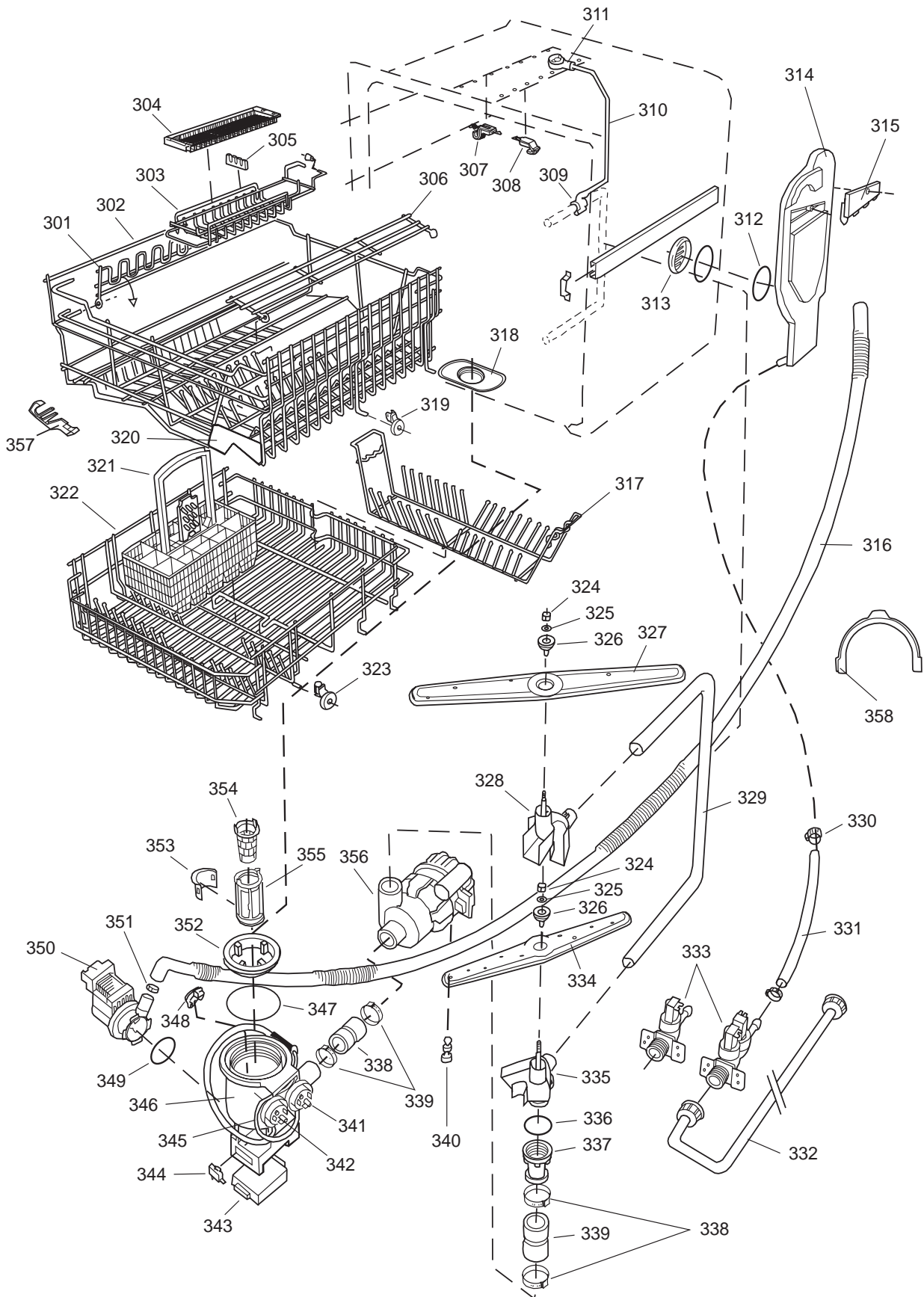
## Container and related parts

### ASKO, 1895 US - Black SI (DW955)

| Pos   | Spare part No. | Description                  | Qty   | Comment |
|-------|----------------|------------------------------|-------|---------|
| 201   | 8057977        | Bearing Upper Rail 05/06 DW  | 8 Pcs |         |
| 202   | 8058638-77     | Ball Holder, Upper Rail DW   | 2 Pcs |         |
| 203   | 8057979-77     | Rack Stop Grey 05/06 DW      | 2 Pcs |         |
| 204   | 8057052        | Guide Rail '05 '06 DW        | 2 Pcs |         |
| 205   | 8057978-77     | Rail Stop - Back Grey 05/06  | 2 Pcs |         |
| 206   | 8057489        | Tub Seal 05/06 DW            | 1 Pcs |         |
| 207   | 8060034        | Sound absorbing slab,casing  | 1 Pcs |         |
| 208   | 8801098        | Lock Catch Kit 05'06 D/W     | 1 Pcs |         |
| 210   | 8002370        | Protective Collar            | 2 Pcs |         |
| 210   | 8057077        | Heating Element DW 05/06 140 | 1 Pcs |         |
| 211   | 8901110        | Screw w/O-Ring DW 05/06 25-T | 4 Pcs |         |
| 212   | 8060065        | Sealing Strip '05            | 1 Pcs |         |
| 212   | 8060066        | Sealing Strip, casing '05    | 1 Pcs |         |
| 214   | 8060035        | Sound absorbing slab,casing  | 1 Pcs |         |
| 216   | 8002579        | T-Stat 05/06 DW Overheat     | 1 Pcs |         |
| 222   | 8070142        | Cable holder, rear 05        | 1 Pcs |         |
| 223   | 8058495        | Cable holder, door 05        | 1 Pcs |         |
| 224   | 8060033        | Sound Absorb                 | 1 Pcs |         |
| 225   | 8057523        | Bottom and Side support '05  | 1 Pcs |         |
| 226   | 8060038        | Sound absorb, slab motor '05 | 2 Pcs |         |
| 228   | 8058558        | RFI 05/06 WM                 | 1 Pcs |         |
| 229   | 8050251        | Terminal Block DW All        | 1 Pcs |         |
| 229-a | 8900357        | Screw, terminal block        | 1 Pcs |         |
| 230   | 8059991        | Cable holder, supply line 05 | 1 Pcs |         |
| 231   | 8006948        | Grommet                      | 1 Pcs |         |
| 232   | 8060232-77     | Door Spring - Heavy Duty DW  | 2 Pcs |         |
| 233   | 8057062        | Subs to 8074877              | 4 Pcs |         |
| 234   | 8901156        | Nut, Levelling Legs          | 4 Pcs |         |
| 235   | 8051957        | Slide, foot 02 DW            | 2 Pcs |         |
| 236   | 8072119        | Washer                       | 4 Pcs |         |
| 239   | 8058352        | Sound Absorb Outer           | 2 Pcs |         |
| 241   | 8060255        | No longer Avail. po# 8008- H | 1 Pcs |         |
| 242   | 8070495        | Inlet Valve Mount            | 1 Pcs |         |
| 242-a | 8900327        | Screw 20 Torx, Self Tapping  | 2 Pcs |         |
| 245   | 8054916        | Reflector, light DW          | 1 Pcs |         |
| 246   | 8054915        | Protection Lamp              | 1 Pcs |         |
| 247   | 8053087        | Interior Light, Housing All  | 1 Pcs |         |
| 247-a | 8901097        | Screw, Terminal              | 1 Pcs |         |
| 247-b | 8901242        | Nut                          | 1 Pcs |         |
| 247-c | 8901413        | Lock Washer, laundry tops    | 1 Pcs |         |
| 248   | 8901763        | O-Ring, Interior Light All D | 1 Pcs |         |
| 249   | 8053086        | Lock Ring Light 05/06 DW     | 1 Pcs |         |
| 250   | 8901592        | Filter Dryer Clip            | 2 Pcs |         |
| 251   | 8055148        | Interior Light Bulb DW       | 1 Pcs |         |
| 252   | 8059968        | Cable channel, light 05      | 1 Pcs |         |
| 253   | 8058469        | Micro switch, light 05       | 1 Pcs |         |
| 254   | 8054907        | BRACKET, LAMP SWITCH         | 1 Pcs |         |
| 254-a | 8902087        | Screw, Plastic Housing 20 To | 1 Pcs |         |

## DISKSYSTEM

## DISHWASHING SYSTEM



## Dishwashing system

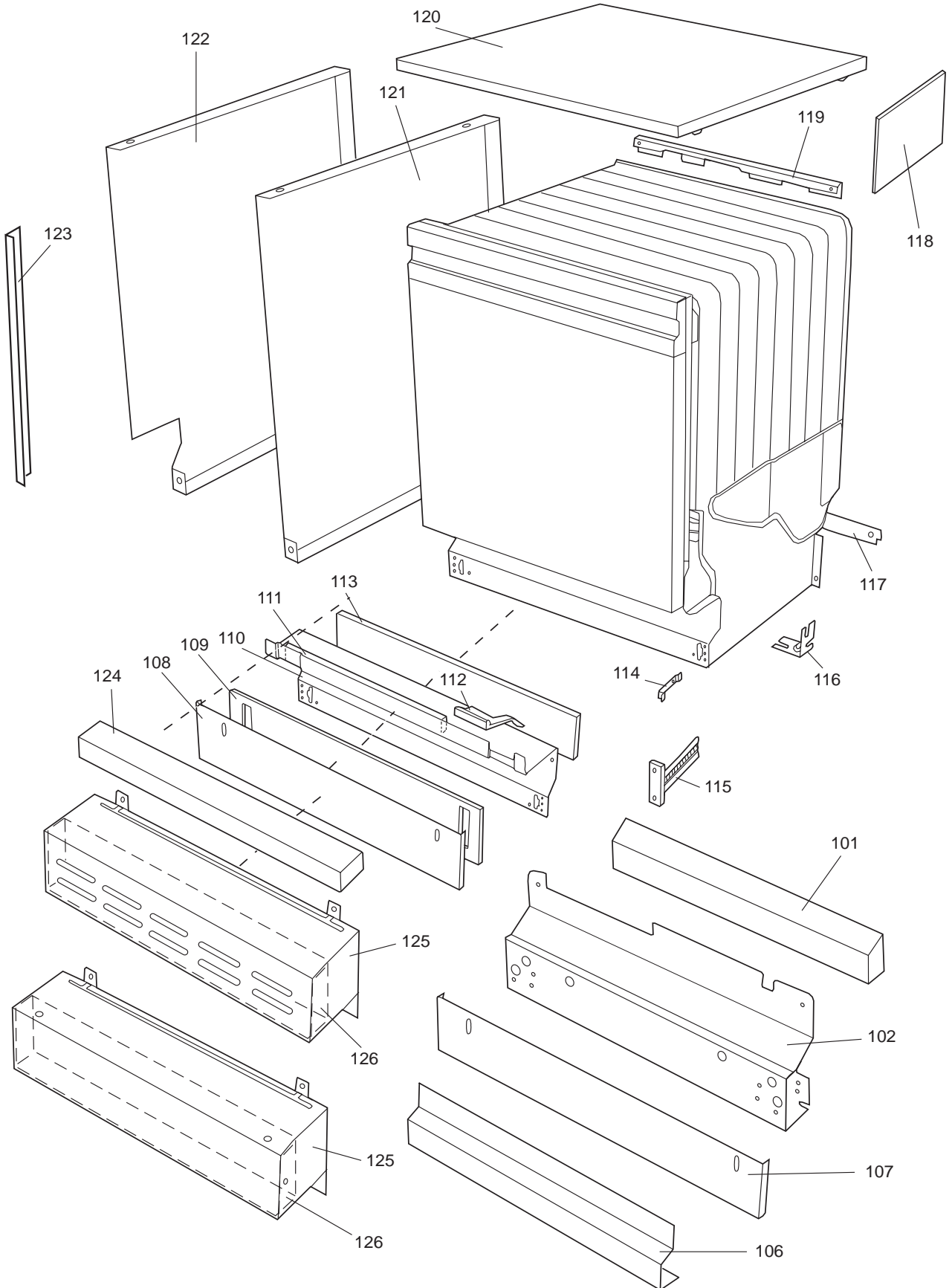
### ASKO, 1895 US - Black SI (DW955)

| Pos   | Spare part No. | Description                  | Qty    | Comment        |
|-------|----------------|------------------------------|--------|----------------|
| 301   | 8071337-36     | Cup Shelf Wine Glass 05/06 D | 1 Pcs  |                |
| 302   | 8801199-36     | Rack, Upper 05 & 06 DW       | 1 Pcs  | with cup shelf |
| 303   | 8057058-36     | Basket knife box 05          | 1 Pcs  |                |
| 304   | 8053376-77     | Long Rack - Silverware Upper | 1 Pcs  |                |
| 305   | 8057505-77     | Knife Holder DW 05/06        | 1 Pcs  |                |
| 306   | 8071336-36     | Cup Shelf 05/06 DW           | 1 Pcs  |                |
| 307   | 8057502        | Clip, Upper Knife Rack DW    | 1 Pcs  |                |
| 308   | 8058453        | Clip, Knife Basket 1800's DW | 1 Pcs  |                |
| 309   | 8057504-77     | Spray Pipe Grommet Lower Gre | 1 Pcs  |                |
| 310   | 8057500        | Spray pipe 05                | 1 Pcs  |                |
| 311   | 8057503-77     | Spray Pipe Grommet Upper Gra | 1 Pcs  |                |
| 313   | 8057536-77     | Lockring Airbreak Gray       | 1 Pcs  |                |
| 314   | 8057514        | Sub To 8801234               | 1 Pcs  |                |
| 316   | 8070304        | Drain Hose 05/06 DW          | 1 Pcs  |                |
| 316-a | 8052239        | Hose Clamp, Squeeze          | 1 Pcs  |                |
| 316-b | 8053642        | Hose Clip                    | 1 Pcs  |                |
| 318   | 8059740        | Strainer Upper 05/06 DW      | 1 Pcs  |                |
| 319   | 8058498-77     | Wheel, Upper Basket 05/06 DW | 4 Pcs  |                |
| 321   | 8801089-77     | Cutlery Basket 05/06 DW      | 1 Pcs  |                |
| 322   | 8801200-36     | Lower Basket 05/06 DW        | 1 Pcs  |                |
| 323   | 8009516-77     | Rack Wheels Lower 05/06 DW   | 8 Pcs  |                |
| 324   | 8901262        | Nut for Spray Arm 05         | 2 Pcs  |                |
| 325   | 8052095        | Ceramic Washer, Spray Arm 05 | 2 Pcs  |                |
| 326   | 8057070-77     | Spray Arm Insert 05/06 DW    | 2 Pcs  |                |
| 327   | 8072695        | Spray Arm - Upper 05/06 DW   | 1 Pcs  |                |
| 328   | 8057068-77     | Spray Pipe Bearing Upper     | 1 Pcs  |                |
| 329   | 8057063-D      | Spray pipe w/upper cutlery   | 1 Pcs  |                |
| 329   | 8057063        | Spray pipe, inner 05         | 1 Pcs  |                |
| 330   | 8052189        | Hose Clamp, Squeeze          | 2 Pcs  |                |
| 331   | 8070622        | Ruber Hose                   | 1 Pcs  |                |
| 333   | 8072123        | Fill Valve, Double 05/06 DW. | 1 Pcs  |                |
| 333-a | 8902087        | Screw, Plastic Housing 20 To | 2 Pcs  |                |
| 334   | 8072692        | Spray Arm - Lower 05/06 DW   | 1 Pcs  |                |
| 335   | 8057067-77     | Lower Washarm Support 05/06  | 1 Pcs  |                |
| 336   | 8901755        | O-Ring Seal                  | 1 Pcs  |                |
| 337   | 8057069        | Retainer Nut SprayArm 05/06  | 1 Pcs  |                |
| 338   | 8052097        | Hose Clamp, Circ. Pump 05/06 | 4 Pcs  |                |
| 339   | 8057484        | Hose, Circ. Pump 05/06 DW    | 2 Pcs  |                |
| 340   | 8055095        | BUFFER, Circumpump 03/04 DW  | 1 Pcs  |                |
| 341   | 8071024        | Level Switch 05/06 DW        | 1 Pcs  |                |
| 343   | 8057053        | Subs to 8075110              | 1 Pcs  |                |
| 344   | 8060068        | Micro Switch,Overfill 05/06  | 1 Pcs  |                |
| 345   | 8058500        | Hose Pressure Sw. 05/06 DW   | 1 Pcs  |                |
| 346   | 8801123        | Replaces 8075197-77. Sump 05 | 1 Pcs  |                |
| 347   | 8058503        | O-Ring, Sump 05/06 DW        | 1 Pcs  |                |
| 348   | 8057487-79     | Sump Plug DW 05/06 Cleanout  | 1 Pcs  |                |
| 349   | 8002584        | O-Ring, Drain Pump 05/06 DW  | 1 Pcs  |                |
| 350   | 8057083        | DRAINPUMP Repl.by 8072032    | 1 Pc's |                |
| 350   | 8072032        | Drain Pump 05/06 DW          | 1 Pcs  |                |
| 351   | 8052239        | Hose Clamp, Squeeze          | 1 Pcs  |                |
| 352   | 8057488        | Locking ring, bottom well 05 | 1 Pcs  |                |
| 353   | 8058454        | Cover Str. Basket 05/06 DW   | 1 Pcs  |                |
| 354   | 8057972-77     | Strainer Basket Grey 05/06 D | 1 Pcs  |                |
| 355   | 8057486-77     | Filter, fine 05 & 06 DW      | 1 Pcs  |                |
| 356   | 8071250        | Circ. Pump 05/06 DW          | 1 Pcs  |                |
| 356-a | 8075380        | capacitor D3000              | 1 Pcs  |                |
| 358   | 8072528-77     | Holder Outlet Hose           | 1 Pcs  |                |
| 358   | 8050805        | GOOSE NECK for DRAIN HOSE    | 1 Pcs  |                |

Datum  
2003-03-24  
Date

## YTTERHÖLJE

## CASING AND RELATED PARTS



## ***Casing and related parts***

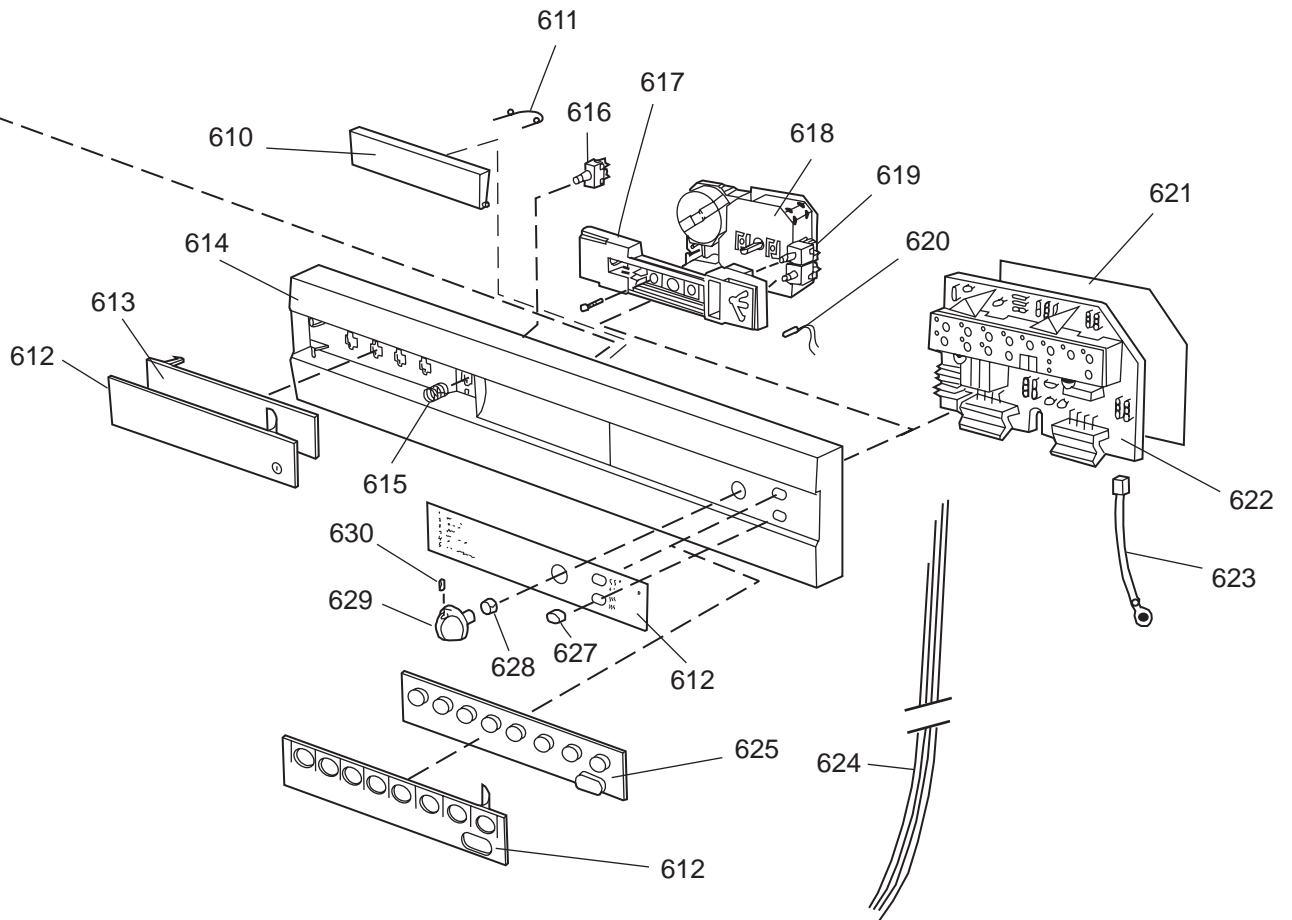
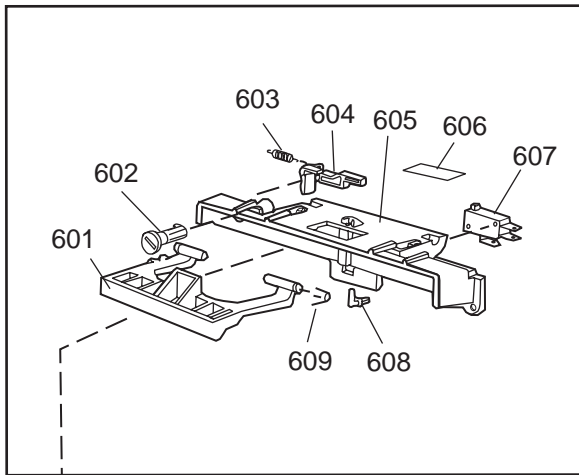
### ***ASKO, 1895 US - Black SI (DW955)***

| <b>Pos</b> | <b>Spare part No.</b> | <b>Description</b>           | <b>Qty</b> | <b>Comment</b> |
|------------|-----------------------|------------------------------|------------|----------------|
| 107        | 8057528-29            | KICKING PLATE LOW BLACK DW95 | 1 Pcs      |                |
| 107-a      | 8900944-29            | Screw                        | 2 Pcs      |                |
| 108        | 8057529-29            | Kick Plate 05/06 DW          | 1 Pcs      |                |
| 108-a      | 8900944-29            | Screw                        | 2 Pcs      |                |
| 109        | 8060087               | FELT KICKING Repl.by 8074585 | 1 Pcs      |                |
| 109        | 8074585               | Felt, Kick Plate '05         | 1 Pcs      |                |
| 110        | 8057526               | Guard Plate DW05 & 06        | 1 Pcs      |                |
| 110-a      | 8902357               | Screw                        | 4 Pcs      |                |
| 111        | 8060041               | Sealing strip, protect plte  | 1 Pcs      |                |
| 112        | 8058486               | Drip Guard Overflow 05/06 DW | 1 Pcs      |                |
| 113        | 8058353               | Sound Absorb Guard           | 1 Pcs      |                |
| 114        | 8057550               | Spring Adj. Bracket 05/06 DW | 2 Pcs      |                |
| 114-a      | 8902131               | Screw, disc.jh 11-99         | 2 Pcs      |                |
| 115        | 8057549               | Bracket/Toe Kick 05/06 DW    | 2 Pcs      |                |

Datum  
2003-03-24  
Date

## PANEL

## CONTROL PANEL AND RELATED PARTS

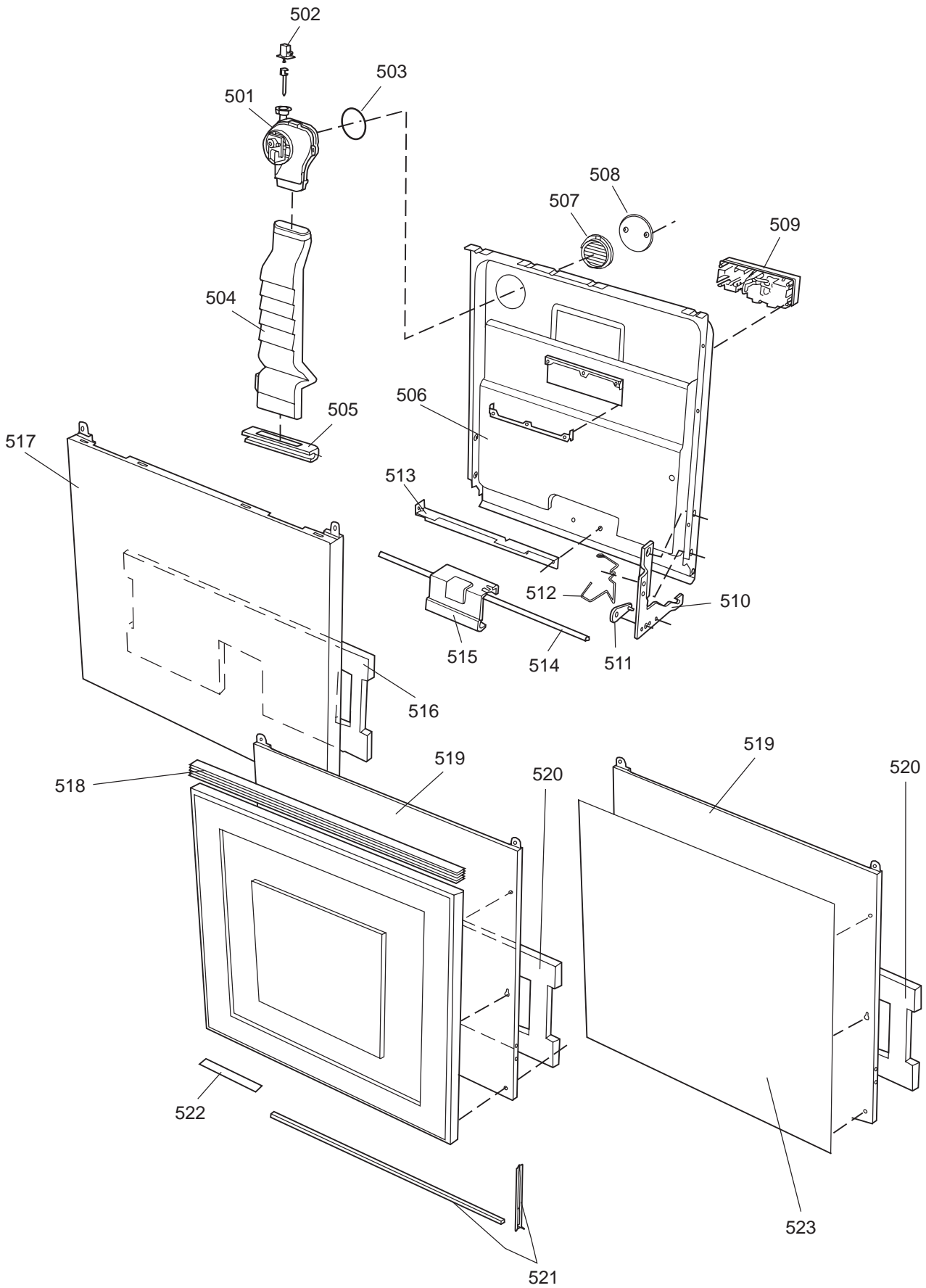




## Control panel and related parts

### ASKO, 1895 US - Black SI (DW955)

| Pos   | Spare part No. | Description                    | Qty    | Comment |
|-------|----------------|--------------------------------|--------|---------|
| 601   | 8060233        | Handle 1895                    | 1 Pcs  |         |
| 605   | 8057539        | Bracket 4 Switch/Handle 05/0   | 1 Pcs  |         |
| 605-a | 8902085        | Screw 20T for Plastic          | 2 Pcs  |         |
| 606   | 8071098        | Cover for Micro Switch         | 1 Pcs  |         |
| 607   | 8055473        | Door Switch - DW 05/06         | 1 Pcs  |         |
| 608   | 8057542        | Actuator, Doorswitch 05/06 D   | 1 Pcs  |         |
| 609   | 8007078        | Spring 02 Handle, DW           | 1 Pcs  |         |
| 610   | 8059849-33     | SUBS TO 8059849-69             | 1 Pcs  |         |
| 610   | 8059849-69     | COVER FOR HANDLE BLACK M.LACK  | 1 Pc's |         |
| 611   | 8059850        | Spring Door Handle             | 1 Pcs  |         |
| 612   | 8070505-33     | DEC. INSERT ASKO 1895 BLACK US | 1 Pc's |         |
| 614   | 8057538-69     | Cover Main Switch Black 05'    | 1 Pcs  |         |
| 614   | 8071681-69     | Front Panel '05 Black          | 1 Pcs  |         |
| 621   | 8060076        | Cover, protective 05           | 1 Pcs  |         |
| 622   | 8801202        | Board 1895/Custom              | 1 Pcs  |         |
| 622-a | 8071485        | SCREW PTK 40X50/25 WN1452 FZY  | 2 Pc's |         |
| 622-b | 8071486        | SPACER                         | 2 Pc's |         |
| 623   | 8059767        | Thermistor 05/06 DW            | 1 Pcs  |         |
| 624   | 8070066        | Cable set 1895                 | 1 Pcs  |         |
| 624   | 8059861        | BASIC HARNESS DOOR DW95E       | 1 Pc's |         |
| 624   | 8059865        | Basic Harness                  | 1 Pcs  |         |
| 690   | 8073096        | INSTR. GENERAL D/WASHER USA    | 1 Pc's |         |
| 690   | 8070233        | INSTRUCTIONS 1895 CA/US        | 1 Pc's |         |



## Door and related parts

### ASKO, 1895 US - Black SI (DW955)

| Pos   | Spare part No. | Description                    | Qty   | Comment |
|-------|----------------|--------------------------------|-------|---------|
| 501   | 8052778        | WAX MOTOR DW 05/06             | 1 Pcs |         |
| 501   | 8060021        | Turbo Fan Complete 05/06 DW    | 1 Pcs |         |
| 503   | 8058501        | O-Ring Turbo Fan Dry 05/06 D   | 1 Pcs |         |
| 504   | 8057963-P      | Air Channel Adj. 1895 FI       | 1 Pcs |         |
| 505   | 8072732-33     | Nozzle Air Duct                | 1 Pcs |         |
| 505   | 8072297-33     | NOZZLE AIR DUCT INTEG. COMPL.  | 1 Pcs |         |
| 505   | 8801189        | KIT,NOZZLE AIR DUCT INT.       | 1 Pcs |         |
| 505   | 8059891-77     | END PLUG LEFT GREY             | 1 Pcs |         |
| 505   | 8059892-77     | END PLUG RIGH GREY             | 1 Pcs |         |
| 506   | 8801120        | Inner Door Integrated 05/06    | 1 Pcs |         |
| 507   | 8057964        | Locking ring, turbo fan 05     | 1 Pcs |         |
| 507-a | 8902085        | Screw 20T for Plastic          | 2 Pcs |         |
| 508   | 8058484        | SS Coverplate Turbo Fan DW     | 1 Pcs |         |
| 508-a | 8902085        | Screw 20T for Plastic          | 2 Pcs |         |
| 509   | 8801140-77     | Combi Disp.                    | 1 Pcs |         |
| 510   | 8057524        | Hinge Right DW 05/06           | 1 Pcs |         |
| 510   | 8057525        | Hinge, left DW 05/06           | 1 Pcs |         |
| 510-a | 33500262       | Nut - Term Block               | 1 Pcs |         |
| 510-b | 8057530        | Screw, hinge 05                | 1 Pcs |         |
| 510-c | 8902120        | Screw 20 Torx Machine          | 2 Pcs |         |
| 511   | 8057948        | Slide washer, hinge bearing    | 2 Pcs |         |
| 512   | 8073612        | Bracket for Harness            | 1 Pcs |         |
| 513   | 8058487        | STAY AIR CANNEL DW95           | 1 Pcs |         |
| 513-a | 8900646        | Screw 20 Torx SS               | 2 Pcs |         |
| 513-b | 8902357        | Screw                          | 2 Pcs |         |
| 514   | 8060254        | Lower Seal,Inner Door 05/06    | 1 Pcs |         |
| 515   | 8057985        | Outer Door Lower Stay 05/06    | 1 Pcs |         |
| 515-a | 8902357        | Screw                          | 2 Pcs |         |
| 516   | 8060080        | SOUND ABSORP. INNER DOOR COMBI | 1 Pcs |         |
| 518   | 8070293-69     | Subs to 8070672-69             | 1 Pcs |         |
| 519   | 8074801-PT     | DOOR OUTER INTEGR. ADJUST.     | 1 Pcs |         |
| 519   | 8074801-PT-29  | DOOR OUTER INTEGR. ADJUST. BL. | 1 Pcs |         |
| 519   | 8057986-PT-29  | Door Outer Integr. Adjust BL   | 1 Pcs |         |
| 519-a | 8900646        | Screw 20 Torx SS               | 6 Pcs |         |
| 520   | 8070294        | Sound Insulation DW Ft. Door   | 1 Pcs |         |
| 521   | 8070363        | Adjustable Frame Comp Door     | 1 Pcs |         |
| 521   | 8070350-33     | PLUG 10/13 BLACK               | 2 Pcs |         |
| 521-a | 8902133        | SCREW MRT-GF M5x8 COMB T25 FZB | 2 Pcs |         |
| 522   | 8070801        | STEAMBLOCKING FOIL WOOD DOOR   | 1 Pcs |         |