

ASKO
BUILT TO LAST LONGER

Spare Parts Catalogue

Dishwashers \ 05 Generation
Type: DW95FI
Model: 1805 US Black Bi

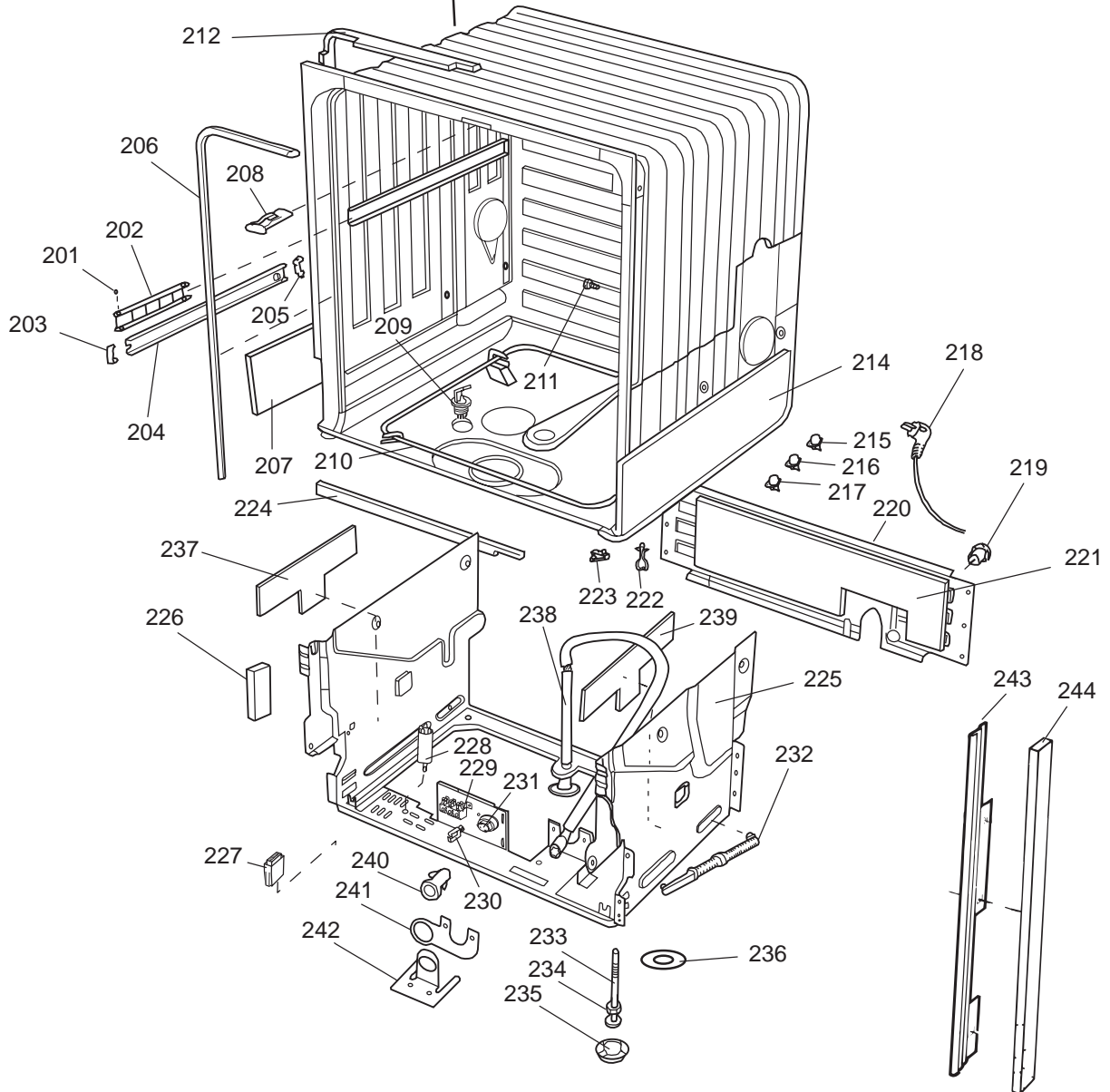
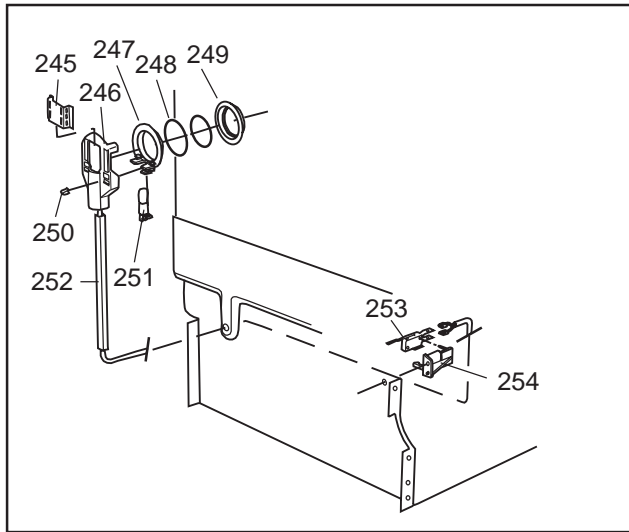
Prod. No: 1071805-FIBK
November 15th 2004

AM Appliances Group

P.O. Box 851805 • Richardson • TX 75085-1805
789 N. Grove Road • Suite 103 • Richardson • TX 75081

BEHÅLLARE

CONTAINER AND RELATED PARTS



Container and related parts

ASKO, 1805 US - Black Bi (DW95FI)

| Pos | Spare part No. | Description | Qty | Comment |
|-------|----------------|------------------------------|-------|---------|
| 201 | 8057977 | Bearing Upper Rail 05/06 DW | 8 Pcs | |
| 202 | 8058638-77 | Ball Holder, Upper Rail DW | 2 Pcs | |
| 203 | 8057979-77 | Rack Stop Grey 05/06 DW | 2 Pcs | |
| 204 | 8057052 | Guide Rail '05 '06 DW | 2 Pcs | |
| 205 | 8057978-77 | Rail Stop - Back Grey 05/06 | 2 Pcs | |
| 206 | 8057489 | Tub Seal 05/06 DW | 1 Pcs | |
| 207 | 8060034 | Sound absorbing slab,casing | 1 Pcs | |
| 210 | 8002370 | Protective Collar | 2 Pcs | |
| 210 | 8057077 | Heating Element DW 05/06 140 | 1 Pcs | |
| 211 | 8901110 | Screw w/O-Ring DW 05/06 25-T | 4 Pcs | |
| 212 | 8070613 | Sealing Strip Casing | 1 Pcs | |
| 214 | 8060035 | Sound absorbing slab,casing | 1 Pcs | |
| 216 | 8002579 | T-Stat 05/06 DW Overheat | 1 Pcs | |
| 222 | 8070142 | Cable holder, rear 05 | 1 Pcs | |
| 223 | 8058495 | Cable holder, door 05 | 1 Pcs | |
| 224 | 8060033 | Sound Absorb | 1 Pcs | |
| 225 | 8057523 | Bottom and Side support '05 | 1 Pcs | |
| 228 | 8058558 | RFI 05/06 WM | 1 Pcs | |
| 229 | 8050251 | Terminal Block DW All | 1 Pcs | |
| 229-a | 8900357 | Screw, terminal block | 1 Pcs | |
| 230 | 8059991 | Cable holder, supply line 05 | 1 Pcs | |
| 231 | 8006948 | Grommet | 1 Pcs | |
| 232 | 8058491-77 | Door Spring 05/06 for 0-7 lb | 2 Pcs | |
| 233 | 8057062 | Subs to 8074877 | 4 Pcs | |
| 234 | 8901156 | Nut, Levelling Legs | 4 Pcs | |
| 235 | 8051957 | Slide, foot 02 DW | 2 Pcs | |
| 236 | 8072119 | Washer | 4 Pcs | |
| 239 | 8058352 | Sound Absorb Outer | 2 Pcs | |
| 241 | 8060255 | No longer Avail. po# 8008- H | 1 Pcs | |
| 242 | 8070495 | Inlet Valve Mount | 1 Pcs | |
| 242-a | 8900327 | Screw 20 Torx, Self Tapping | 2 Pcs | |
| 243 | 8059761-29 | Filler Strip - Left DW - Bla | 1 Pcs | |
| 243 | 8059762-29 | Filler Strip, Right 05/06 DW | 1 Pcs | |
| 243-a | 8900646 | Screw 20 Torx SS | 4 Pcs | |
| 244 | 8070614 | Insulation,fill strip 05&06 | 2 Pcs | |
| 245 | 8054916 | Reflector, light DW | 1 Pcs | |
| 246 | 8054915 | Protection Lamp | 1 Pcs | |
| 247 | 8053087 | Interior Light, Housing All | 1 Pcs | |
| 247-a | 8901097 | Screw, Terminal | 1 Pcs | |
| 247-b | 8901242 | Nut | 1 Pcs | |
| 247-c | 8901413 | Lock Washer, laundry tops | 1 Pcs | |
| 248 | 8901763 | O-Ring, Interior Light All D | 1 Pcs | |
| 249 | 8053086 | Lock Ring Light 05/06 DW | 1 Pcs | |
| 250 | 8901592 | Filter Dryer Clip | 2 Pcs | |
| 251 | 8055148 | Interior Light Bulb DW | 1 Pcs | |
| 252 | 8059968 | Cable channel, light 05 | 1 Pcs | |
| 253 | 8058469 | Micro switch, light 05 | 1 Pcs | |
| 254 | 8054907 | BRACKET, LAMP SWITCH | 1 Pcs | |
| 254-a | 8902087 | Screw, Plastic Housing 20 To | 1 Pcs | |

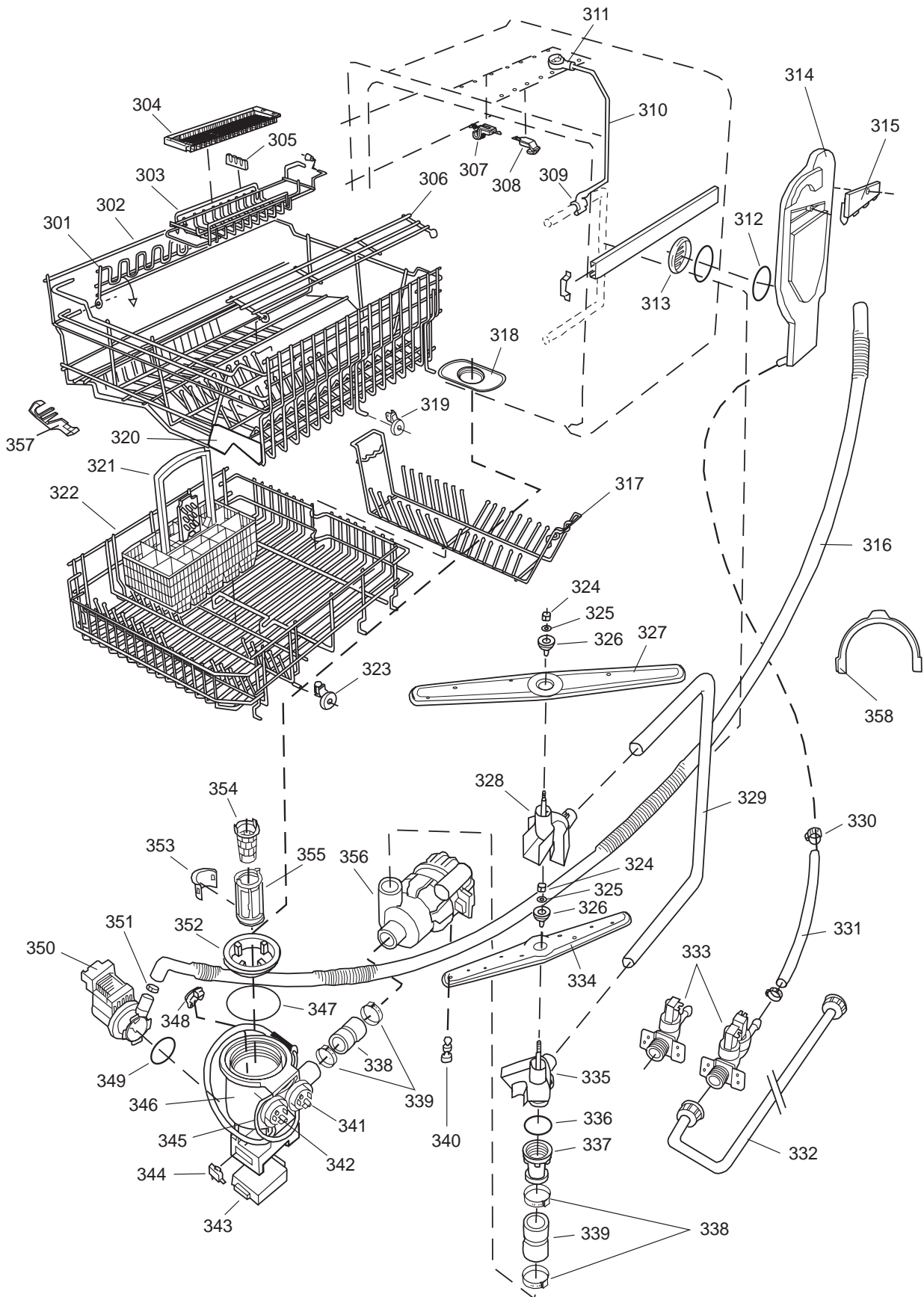
Datum

2003-03-24

Date

DISKSYSTEM

DISHWASHING SYSTEM



Dishwashing system

ASKO, 1805 US - Black Bi (DW95FI)

| Pos | Spare part No. | Description | Qty | Comment |
|-------|----------------|------------------------------|--------|----------------|
| 301 | 8071337-36 | Cup Shelf Wine Glass 05/06 D | 1 Pcs | |
| 302 | 8801199-36 | Rack, Upper 05 & 06 DW | 1 Pcs | with cup shelf |
| 303 | 8057058-36 | Basket knife box 05 | 1 Pcs | |
| 304 | 8053376-77 | Long Rack - Silverware Upper | 1 Pcs | |
| 305 | 8057505-77 | Knife Holder DW 05/06 | 1 Pcs | |
| 306 | 8071336-36 | Cup Shelf 05/06 DW | 1 Pcs | |
| 307 | 8057502 | Clip, Upper Knife Rack DW | 1 Pcs | |
| 308 | 8058453 | Clip, Knife Basket 1800's DW | 1 Pcs | |
| 309 | 8057504-77 | Spray Pipe Grommet Lower Gre | 1 Pcs | |
| 310 | 8057500 | Spray pipe 05 | 1 Pcs | |
| 311 | 8057503-77 | Spray Pipe Grommet Upper Gra | 1 Pcs | |
| 313 | 8057536-77 | Lockring Airbreak Gray | 1 Pcs | |
| 314 | 8057514 | Sub To 8801234 | 1 Pcs | |
| 316 | 8070304 | Drain Hose 05/06 DW | 1 Pcs | |
| 316-a | 8052239 | Hose Clamp, Squeeze | 1 Pcs | |
| 316-b | 8053642 | Hose Clip | 1 Pcs | |
| 318 | 8059740 | Strainer Upper 05/06 DW | 1 Pcs | |
| 319 | 8058498-77 | Wheel, Upper Basket 05/06 DW | 4 Pcs | |
| 321 | 8801089-77 | Cutlery Basket 05/06 DW | 1 Pcs | |
| 322 | 8801200-36 | Lower Basket 05/06 DW | 1 Pcs | |
| 323 | 8009516-77 | Rack Wheels Lower 05/06 DW | 8 Pcs | |
| 324 | 8901262 | Nut for Spray Arm 05 | 2 Pcs | |
| 325 | 8052095 | Ceramic Washer, Spray Arm 05 | 2 Pcs | |
| 326 | 8057070-77 | Spray Arm Insert 05/06 DW | 2 Pcs | |
| 327 | 8072695 | Spray Arm - Upper 05/06 DW | 1 Pcs | |
| 328 | 8057068-77 | Spray Pipe Bearing Upper | 1 Pcs | |
| 329 | 8057063-D | Spray pipe w/upper cutlery | 1 Pcs | |
| 329 | 8057063 | Spray pipe, inner 05 | 1 Pcs | |
| 330 | 8052189 | Hose Clamp, Squeeze | 2 Pcs | |
| 331 | 8070622 | Ruber Hose | 1 Pcs | |
| 333 | 8072123 | Fill Valve, Double 05/06 DW. | 1 Pcs | |
| 333-a | 8902087 | Screw, Plastic Housing 20 To | 2 Pcs | |
| 334 | 8072692 | Spray Arm - Lower 05/06 DW | 1 Pcs | |
| 335 | 8057067-77 | Lower Washarm Support 05/06 | 1 Pcs | |
| 336 | 8901755 | O-Ring Seal | 1 Pcs | |
| 337 | 8057069 | Retainer Nut SprayArm 05/06 | 1 Pcs | |
| 338 | 8052097 | Hose Clamp, Circ. Pump 05/06 | 4 Pcs | |
| 339 | 8057484 | Hose, Circ. Pump 05/06 DW | 2 Pcs | |
| 340 | 8055095 | BUFFER, Circumpump 03/04 DW | 1 Pcs | |
| 341 | 8071024 | Level Switch 05/06 DW | 1 Pcs | |
| 343 | 8057053 | Subs to 8075110 | 1 Pcs | |
| 344 | 8060068 | Micro Switch,Overfill 05/06 | 1 Pcs | |
| 345 | 8058500 | Hose Pressure Sw. 05/06 DW | 1 Pcs | |
| 346 | 8801123 | Replaces 8075197-77. Sump 05 | 1 Pcs | |
| 347 | 8058503 | O-Ring, Sump 05/06 DW | 1 Pcs | |
| 348 | 8057487-79 | Sump Plug DW 05/06 Cleanout | 1 Pcs | |
| 349 | 8002584 | O-Ring, Drain Pump 05/06 DW | 1 Pcs | |
| 350 | 8057083 | DRAINPUMP Repl.by 8072032 | 1 Pc's | |
| 350 | 8072032 | Drain Pump 05/06 DW | 1 Pcs | |
| 351 | 8052239 | Hose Clamp, Squeeze | 1 Pcs | |
| 352 | 8057488 | Locking ring, bottom well 05 | 1 Pcs | |
| 353 | 8058454 | Cover Str. Basket 05/06 DW | 1 Pcs | |
| 354 | 8057972-77 | Strainer Basket Grey 05/06 D | 1 Pcs | |
| 355 | 8057486-77 | Filter, fine 05 & 06 DW | 1 Pcs | |
| 356 | 8071250 | Circ. Pump 05/06 DW | 1 Pcs | |
| 356-a | 8075380 | capacitor D3000 | 1 Pcs | |
| 358 | 8072528-77 | Holder Outlet Hose | 1 Pcs | |
| 358 | 8050805 | GOOSE NECK for DRAIN HOSE | 1 Pcs | |

Datum
2003-03-24
Date

YTTERHÖLJE

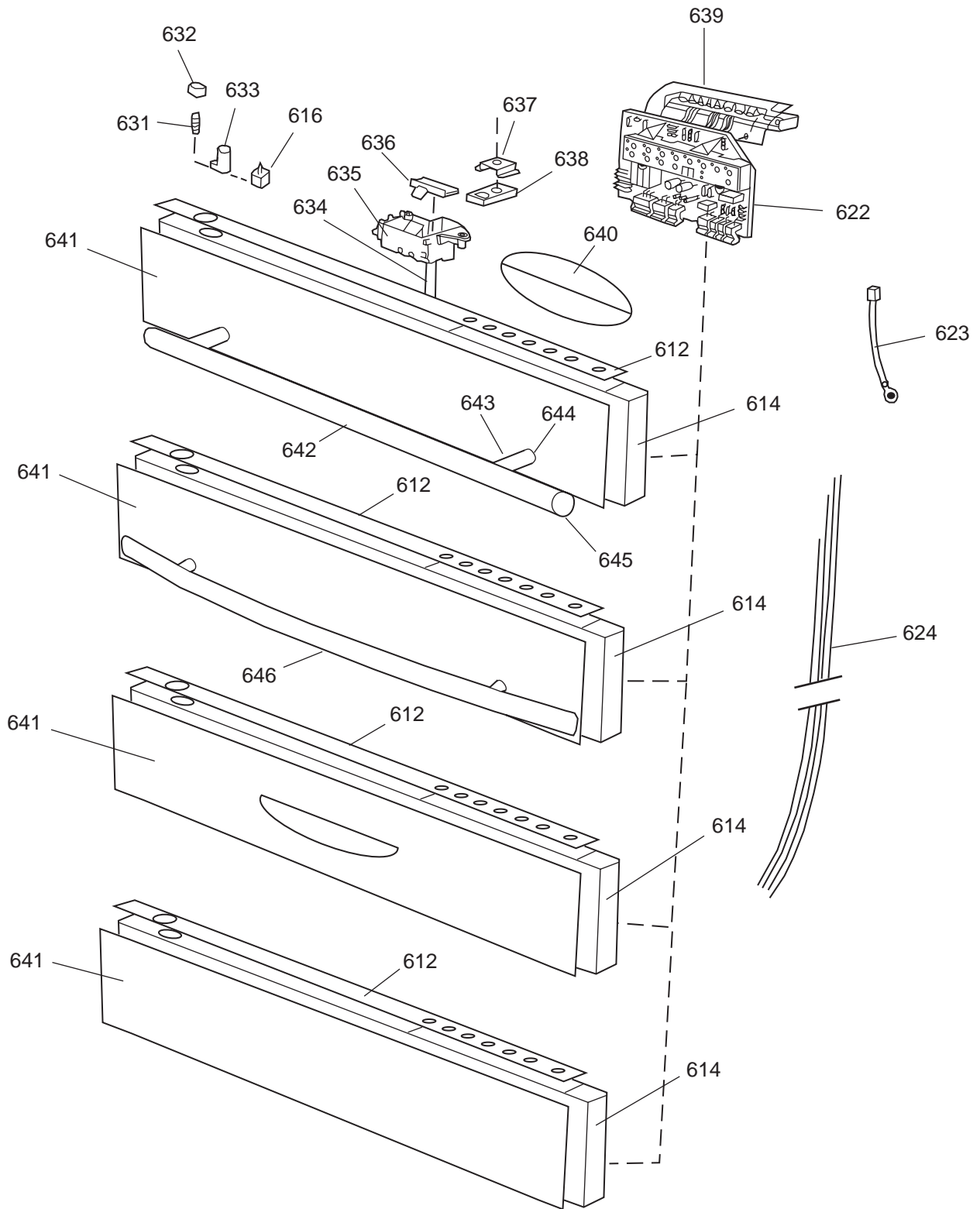
CASING AND RELATED PARTS



Casing and related parts

ASKO, 1805 US - Black Bi (DW95FI)

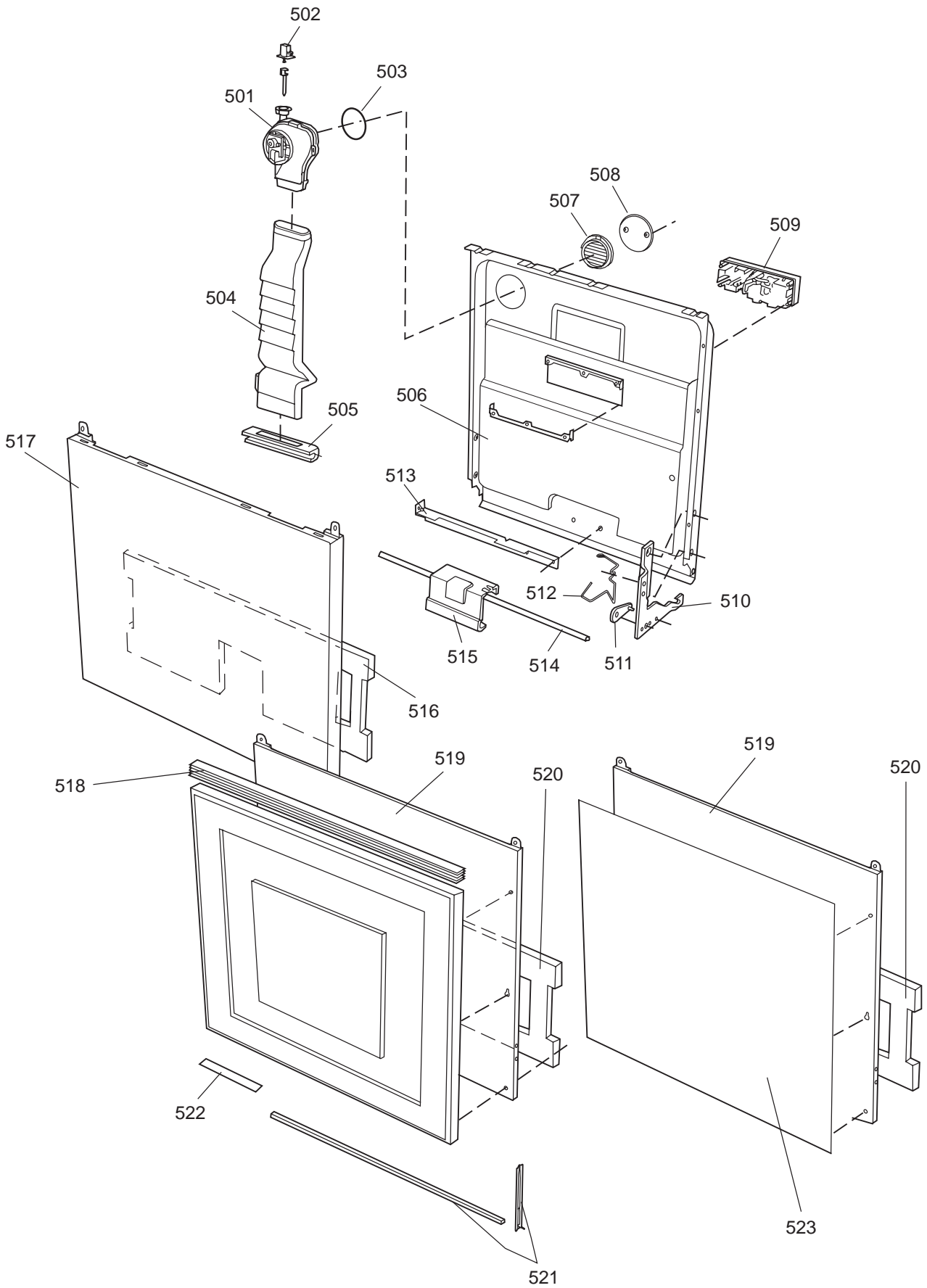
| Pos | Spare part No. | Description | Qty | Comment |
|------------|-----------------------|------------------------------|------------|----------------|
| 108 | 8059758-29 | SUBS To 8059758-86 Kick Plat | 1 Pcs | |
| 108-a | 8900944-29 | Screw | 2 Pcs | |
| 109 | 8070743 | Insulation, Toe-Kick 05/06 D | 1 Pcs | |
| 110 | 8057526 | Guard Plate DW05 & 06 | 1 Pcs | |
| 110-a | 8902357 | Screw | 4 Pcs | |
| 111 | 8060041 | Sealing strip, protect plte | 1 Pcs | |
| 112 | 8058486 | Drip Guard Overflow 05/06 DW | 1 Pcs | |
| 113 | 8058353 | Sound Absorb Guard | 1 Pcs | |
| 114 | 8057550 | Spring Adj. Bracket 05/06 DW | 2 Pcs | |
| 114-a | 8902131 | Screw, disc.jh 11-99 | 2 Pcs | |
| 115 | 8057549 | Bracket/Toe Kick 05/06 DW | 2 Pcs | |
| 124 | 8070615 | Sealing Lower Panel DW 05/06 | 1 Pcs | |
| 125 | 8057100-S-29 | Lower Panel, 05/06 DW | 1 Pcs | |
| 125-a | 8900352 | Screw Access Panel 05/06 | 2 Pcs | |
| 125-b | 8009769-33 | Black plugs for Door DW 05/0 | 4 Pcs | |
| 126 | 8070612 | Insul, lower panel 05 & 06 D | 1 Pcs | |



Control panel and related parts

ASKO, 1805 US - Black Bi (DW95FI)

| Pos | Spare part No. | Description | Qty | Comment |
|-------|----------------|------------------------------|-------|-----------------|
| 612 | 8070888-33 | Decor Insert 1805 Black | 1 Pcs | |
| 614 | 8070640-69 | Control Panel Black 1805-199 | 1 Pcs | |
| 616 | 8057547 | On/Off Switch DW | 1 Pcs | |
| 621 | 8060076 | Cover, protective 05 | 1 Pcs | |
| 622 | 8801203 | Board, DW-FI | 1 Pcs | |
| 622-a | 8902053 | Screw | 2 Pcs | |
| 622-b | 8902087 | Screw, Plastic Housing 20 To | 2 Pcs | |
| 622-c | 8060076 | Cover, protective 05 | 1 Pcs | |
| 623 | 8059767 | Thermistor 05/06 DW | 1 Pcs | |
| 624 | 8071289 | Cable 1805 FISS | 1 Pcs | |
| 624 | 8059861 | BASIC HARNESS DOOR DW95E | 1 Pcs | |
| 624 | 8059865 | Basic Harness | 1 Pcs | |
| 631 | 8070650 | Spring Main Switch 1805 | 1 Pcs | |
| 632 | 8070644-33 | Push Button 1805 Black | 1 Pcs | |
| 633 | 8070643-33 | Main-switch casing 1805 | 1 Pcs | |
| 634 | 8071077 | Rubber Hose, handle 1805 | 1 Pcs | |
| 635 | 8070647 | Latch/Switch Assy,1805-1996 | 1 Pcs | |
| 636 | 8070645-77 | Masking Detail FullInt. Grey | 1 Pcs | |
| 637 | 8070654 | LOCK WASHER INTEGR. | 1 Pcs | |
| 637 | 8070648 | Lock Washer Int. | 1 Pcs | Part of 8070469 |
| 638 | 8070649 | Lock Hitch Int. | 1 Pcs | |
| 638-a | 8070648 | Lock Washer Int. | 1 Pcs | Part of 8070469 |
| 638-b | 8901104 | Screw 20 Torx Machine | 1 Pcs | |
| 639 | 8071049 | Protective Cover Keyboard | 1 Pcs | |
| 640 | 8070641 | Handle 1805 | 1 Pcs | |
| 640-a | 8902087 | Screw, Plastic Housing 20 To | 2 Pcs | |
| 641 | 8070882-33 | Decor Insert Black 1805 | 1 Pcs | |
| 690 | 8073096 | INSTR. GENERAL D/WASHER USA | 1 Pcs | |
| 690 | 8071175 | INSTRUCTIONS 1805 CA/US | 1 Pcs | |



Door and related parts

ASKO, 1805 US - Black Bi (DW95FI)

| Pos | Spare part No. | Description | Qty | Comment |
|-------|----------------|--------------------------------|--------|---------|
| 501 | 8052778 | WAX MOTOR DW 05/06 | 1 Pcs | |
| 501 | 8060021 | Turbo Fan Complete 05/06 DW | 1 Pcs | |
| 503 | 8058501 | O-Ring Turbo Fan Dry 05/06 D | 1 Pcs | |
| 504 | 8057963-S | Air Channel Short | 1 Pcs | |
| 505 | 8072729-33 | Air Pipe | 1 Pcs | |
| 505 | 8071078-33 | NOZZLE AIR DUCT STD COMPL | 1 Pc's | |
| 506 | 8801118 | Inner Door 05/06 w/Fan DW | 1 Pcs | |
| 507 | 8057964 | Locking ring, turbo fan 05 | 1 Pcs | |
| 507-a | 8902085 | Screw 20T for Plastic | 2 Pcs | |
| 508 | 8058484 | SS Coverplate Turbo Fan DW | 1 Pcs | |
| 508-a | 8902085 | Screw 20T for Plastic | 2 Pcs | |
| 509 | 8801140-77 | Combi Disp. | 1 Pcs | |
| 510 | 8057524 | Hinge Right DW 05/06 | 1 Pcs | |
| 510 | 8057525 | Hinge, left DW 05/06 | 1 Pcs | |
| 510-a | 33500262 | Nut - Term Block | 1 Pcs | |
| 510-b | 8057530 | Screw, hinge 05 | 1 Pcs | |
| 510-c | 8902120 | Screw 20 Torx Machine | 2 Pcs | |
| 511 | 8057948 | Slide washer, hinge bearing | 2 Pcs | |
| 512 | 8073612 | Bracket for Harness | 1 Pcs | |
| 514 | 8060254 | Lower Seal, Inner Door 05/06 | 1 Pcs | |
| 515 | 8057985 | Outer Door Lower Stay 05/06 | 1 Pcs | |
| 515-a | 8902357 | Screw | 2 Pcs | |
| 516 | 8060080 | SOUND ABSORP. INNER DOOR COMBI | 1 Pc's | |
| 519 | 8057986-S-29 | DOOR OUTER DECOR FRAME BLACK | 1 Pc's | |
| 519 | 8074801-S-29 | DOOR OUTER DECOR FRAME BLACK | 1 Pc's | |
| 519-a | 8900646 | Screw 20 Torx SS | 6 Pcs | |
| 520 | 8070294 | Sound Insulation DW Ft. Door | 1 Pcs | |