

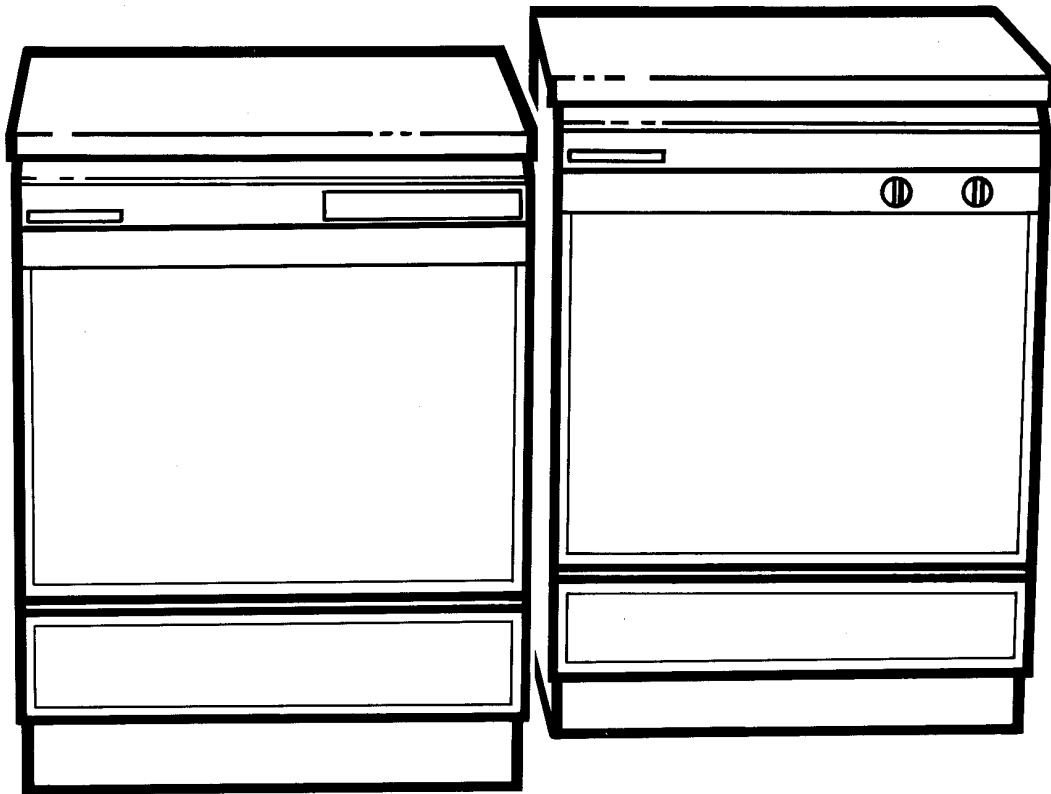
Installation Instructions

ASKO ASEA *Dishwasher*

1500 1400

Important!

Read all the operating
instructions before starting
to use your dishwasher,
to get the best results.



Introduction

Read these instructions carefully and completely before you install the machine. The installation should be carried out by a qualified person, who is familiar with all local codes and ordinances for electrical and plumbing connections.

If the machine is being installed for the first time, most of the work has to be done **before** you move the machine into place. If you replace an old machine you must check the old connections.

INDEX

	Page
The way to install the machine	2
Tools you need	3
Material you need	3
Technical data	4
Prepare the location	5
What space do you need? Which are the dimensions?	5
Preparing and connecting	6
Hot water supply	6
Drain supply	7
Electricity supply	8-9
Moving the machine into place	10-11
Adjustments	10-11
Fastening	10-11
Testing the installation	11
Put on a new panel	12

The way to install the machine

1. Prepare the location	5
2. Prepare the water supply	6
3. Prepare the drain supply	7
4. Prepare the electrical supply	8-9
5. Undo the lower panel	-
6. Adjust the feet	10
7. Fix the side strips	10
8. Push the machine into position	10
9. Connect water supply	6
10. Connect drain supply	7
11. Connect electricity	8-9
12. Adjust the base depth	11
13. Adjust the base height	11
14. Fasten the dishwasher	11
15. Test all connections	11
16. Replace the lower panel and kick plate	-

Tools you need

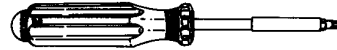
Pozidrive No 2 screwdriver
(A Phillips can be used)



Flat blade screwdriver



Torx screwdriver size T 10, T 20, T 25



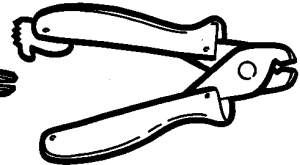
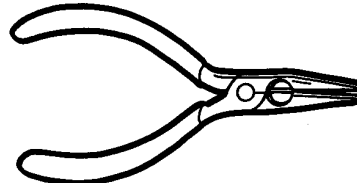
Adjustable wrenches
(If copper fittings are used)



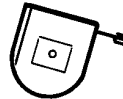
Open-ended wrench
1/2" (12 mm) or 5/8" (16 mm)



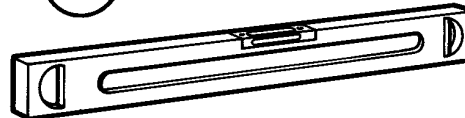
Wire cutters and strippers



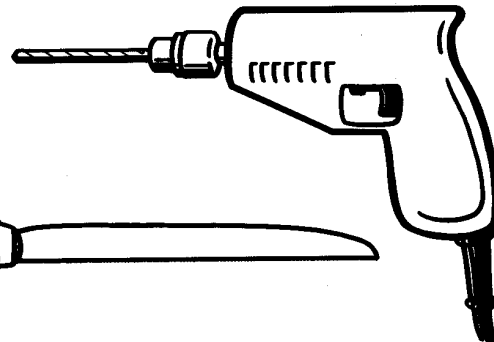
Tape measure



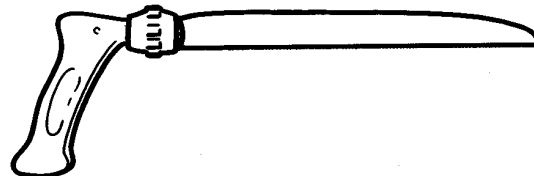
Spirit level



Electric drill



1" drill bit or Hole saw



Materials you need

For copper installation:

Min 3/8" OD Copper tubing of sufficient length for your installation.
Shut-off valve and fittings for water supply line.

1 compression nut, 1 compression sleeve, 1 90° street elbow, 1 90° compression elbow 3/8" OD.

For all:

Clamps for 5/8" OD Copper tubing and fittings.

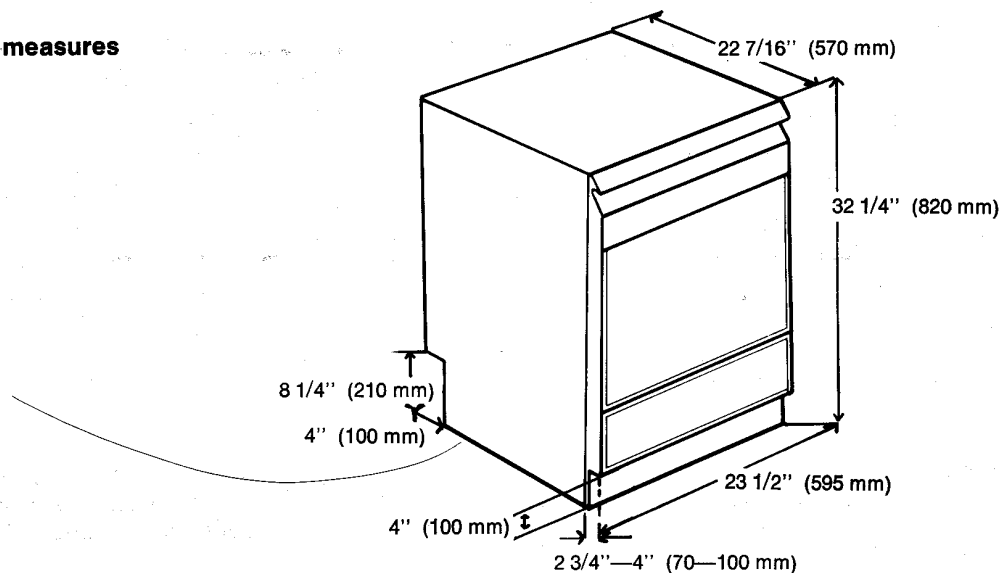
10" length of 5/8" OD Soft Copper tubing, formed into a semicircle – only for high loop drain.

120 Volt, 15 Amp, 2 Wire, properly grounded, branch Circuit.

Technical Data

	US Measure	European Measure
Height	32 1/4"—35"	820—890 mm
Width	23 1/2"—24"	595—608 mm
Depth	22 7/16"	570 mm
Weight	110 lbs	50 kg

Min. measures



Cabinet opening

	US Measure	European Measure
Min. height	32 1/2"	825 mm
Min. width	23 5/8"	600 mm
Min. depth	22 7/16"	570 mm

Capacity 14 international place settings

Water pressure 18—176 PSI

Power 120 Volts 60 Hz, 15 Amps.

Element power 1200 Watt

Max. loading 1650 Watt

Water consumption (approx)

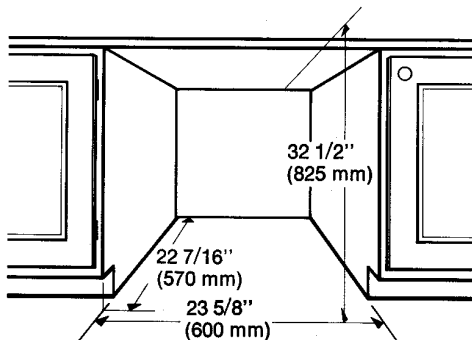
	1400	1500
Rinsing	1.7 gal. (6.5 litres)	1.7 gal. (6.5 litres)
Program with: Pre-wash and three rinses	8.5 gal. (32.5 litres)	7.4 gal. (28 litres)
Main wash and three rinses	6.9 gal. (26 litres)	5.7 gal. (21.5 litres)
Short main wash and two rinses	5.1 gal. (19.5 litres)	5.1 gal. (19.5 litres)
Dishwashing temperature		
High temp.	150° F (65° C)	150° F (65° C)
Low temp.	130° F (55° C)	130° F (55° C)

Prepare the location

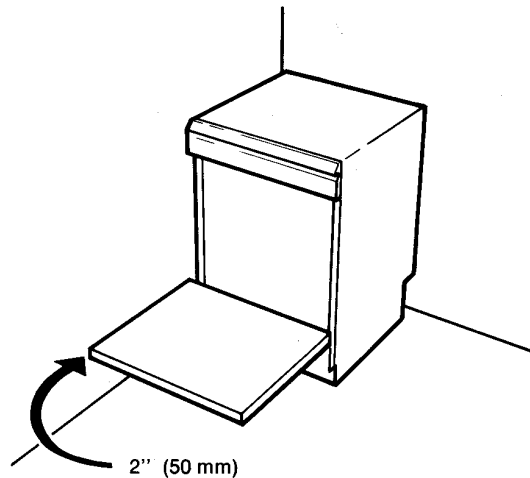
What space do you need?

The best place for your dishwasher is in the kitchen near the sink. Then it's easy to connect the water and the drain supply lines.

A built-in dishwasher must be enclosed on all sides, on the top, both sides and the back.



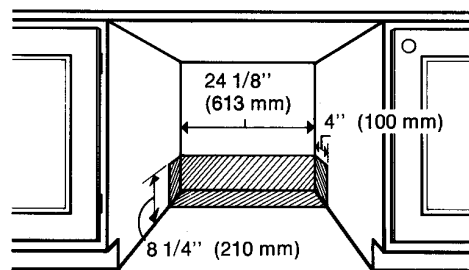
The kick plate supplied will fit the 24" opening. When using European standard installation the kick plate is available from your ABB Appliance dealer.



If the dishwasher is installed in a corner, there must be a minimum clearance of 2" (50 mm) so that the door can be opened.

Access holes in the cabinets, floor or rear wall for the supply lines must be located in the area shown on the picture.

There must be no electrical connections in this area.



NOTE!

Holes must be round and smooth. Access holes must not be bigger than 1 1/2" in any direction.

HOT WATER SUPPLY

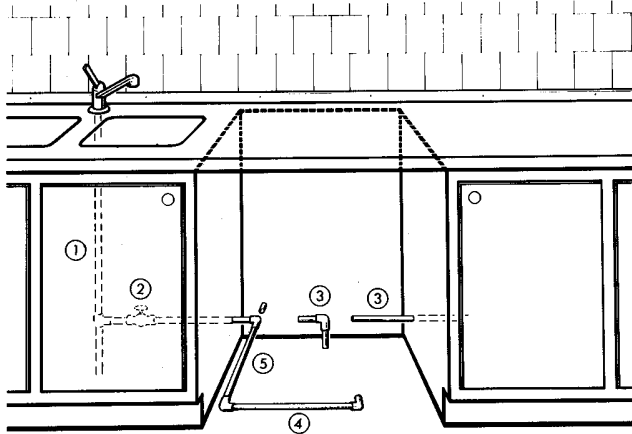
WARNING!

Plumbing connections must comply with applicable sanitary, safety and plumbing codes.

Water pressure of the water supply should be minimum 18 to 176 PSI.

The hot water supply line should be min 3/8" OD copper tubing. The dishwasher fill valve has a 3/8" NPT female connection.

After determining where the water supply line will enter the dishwasher, drill a 1" access hole and run the line to the approximate fill valve location shown in the figure:

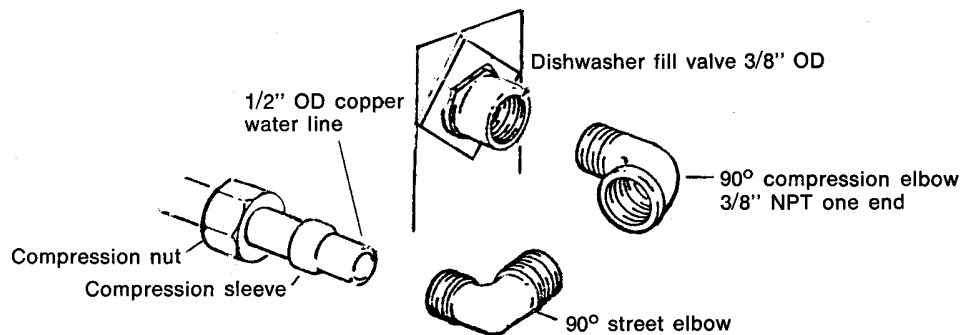


- ① Hot water supply.
- ② Shut-off valve.
- ③ Alternate locations.
- ④ Tube.
- ⑤ Tube.

NOTE!

Just install tube No 5 before you push the machine into its position. Number 4 is to be fitted when the machine is in its position.

If soft copper line is used, leave tube straight out in the opening to slide the dishwasher in. Bend the tube into position after the dishwasher has been slid into the cabinet opening.



For service convenience, a shut-off valve (not supplied) should be installed in the supply line in a readily accessible location (such as beneath the sink) or in the supply line near the dishwasher fill valve.

In order to prevent heat damage to the fill valve, all solder connections must be made before the water line is connected to the dishwasher.

The machine should preferably be connected to a hot water supply. If a cold water supply is used, the washing times will be much longer. Flush the supply line prior to connecting it to the intake line of the machine.

It's important that the water supply line and the shut-off valve have a sufficient flow volume — at least 3 Gallons (12 Litres) per minute must be able to pass through the line.

Check-valve and suction valve are not needed. The water pressure should be 18–176 PSI.

DRAIN SUPPLY

A rubber drain hose (3/4") is provided with the machine. Use that hose and cut it to the appropriate length and connect it with a hose clip. Do not use any fittings anywhere in the drain line that are less than 3/4" ID (18 mm). The access hole for the drain line should be 1".

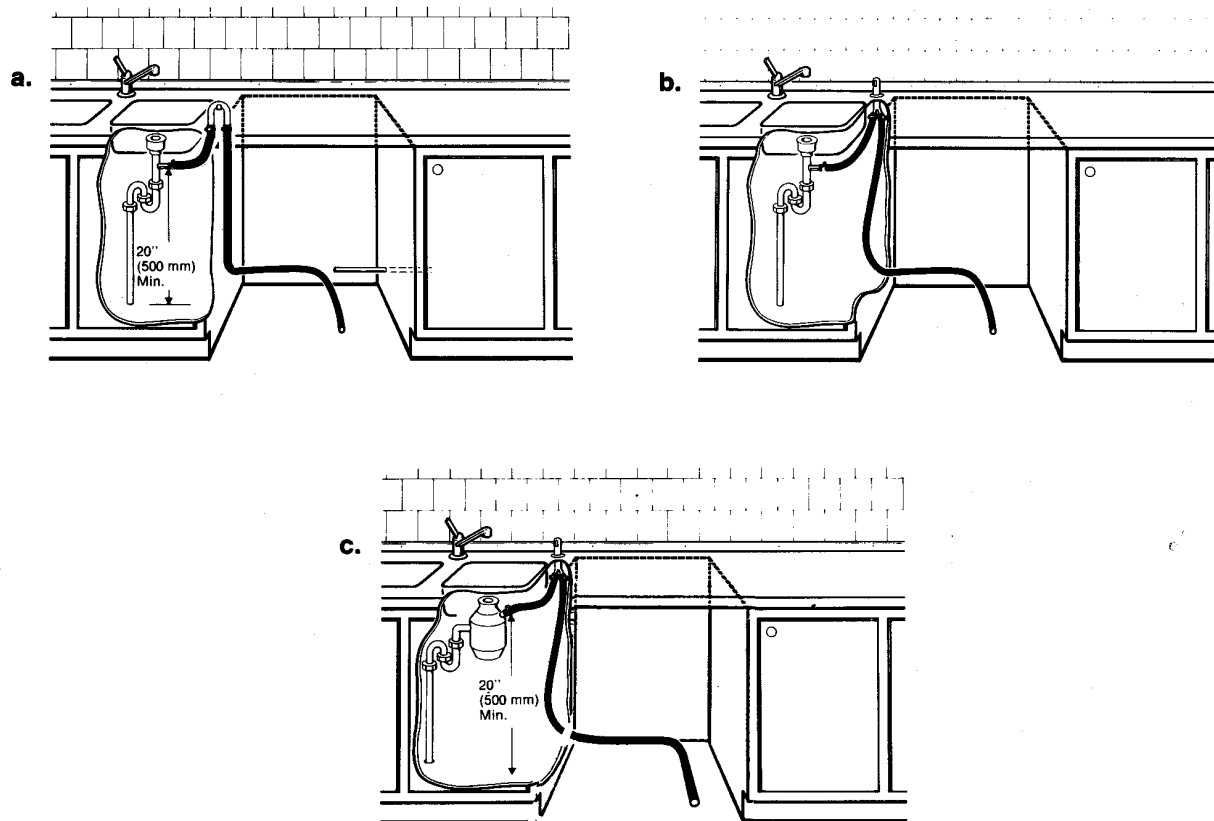
If the hose provided is not long enough, extend it with a copper tube 5/8" OD.

If the drain line is going to be connected to a waste disposer, be sure to remove the knockout or plug from the fitting on the disposer before connecting drain line.

The machine must not be connected to a check valve.

Different ways to connect the drain supply line:

- a. Typical drain connections to sink plumbing before trap (high loop drain).
- b. Connection to an air gap, then to the trap.
- c. Connection to a waste disposer with air gap.



CAUTION!

Failure to provide either the proper drain connection height (20" above floor level) or a 20" high loop will result in improper draining of the machine, which will cause damage to the machine.

NOTE!

The drainage hose can be extended to a maximum length of 10 ft (3 meters). Joints and jointed tubes, if any, must have an ID of at least 3/4" (18 mm).

No part of the drainage hose must have a position higher than 35" (900 mm) above the floor.

The hose must not be drawn straight to a floor well or its equivalent. The hose then might function as a syphon emptying the machine.

When the installation is ready, open the supply valve and let the pressure act for a while. Then check that all connections are tight and there are no leakages.

ELECTRICAL SUPPLY

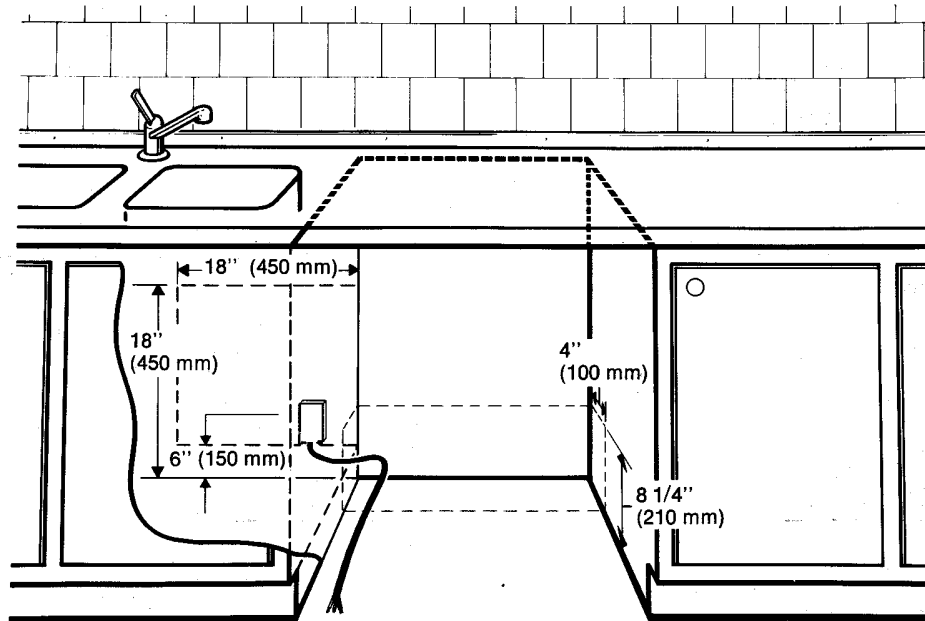
WARNING!

Electrical and grounding connections must comply with the applicable portions of the national electrical code and/or other local electrical codes.

WARNING!

Disconnect electrical power supply and place a tag at the disconnect switch indicating that you are working on the circuit.

The electrical supply must be a 120 Volts minimum 15 amp, properly grounded circuit.



NOTE!

Access holes must not be bigger than 1 1/2" (38.1 mm) in any direction.

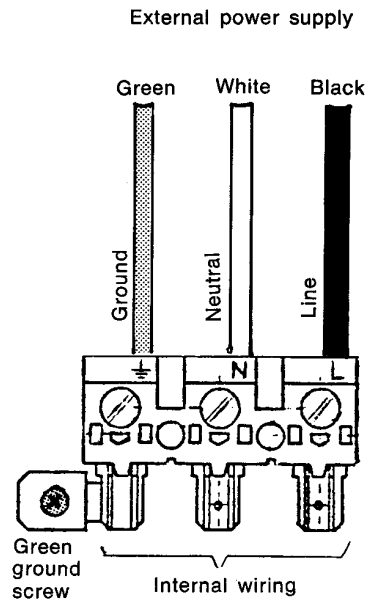
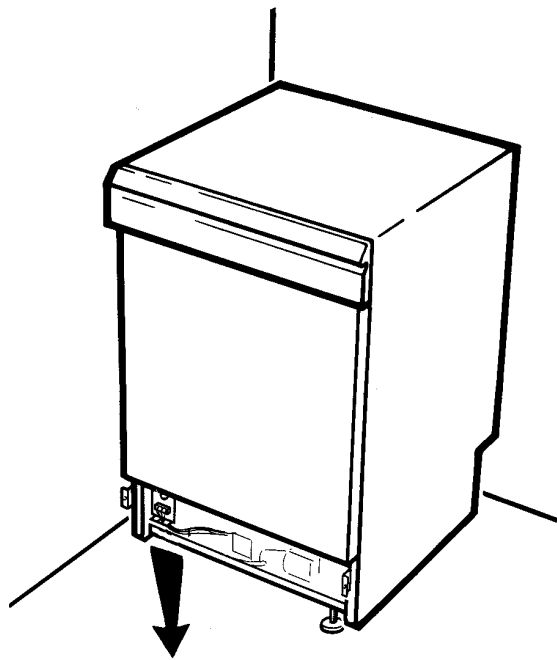
Connection

WARNING!

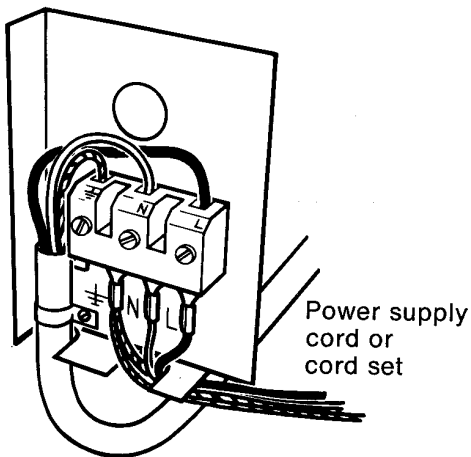
Be sure electrical power is turned off at circuit breaker or fuse box.

Grounding instructions

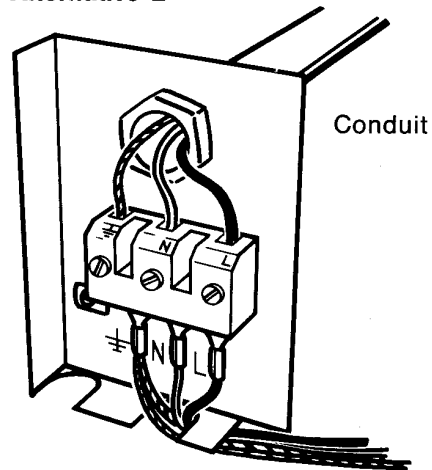
This appliance must be connected to a grounded metal, permanent wiring system; or an equipment-grounding conductor must be run with the circuit conductors and connected to the equipment-grounding terminal or lead of the appliance.



Alternative 1



Alternative 2



- A. Remove terminal box cover from dishwasher.
- B. Connect supply cable with a UL listed strain relief bushing (if non-metallic cable is to be used).
- C. Connect branch circuit white lead to white lead and branch circuit black lead to black lead on main terminal block and connect ground wire to ground on terminal block.
- D. Reinstall terminal box cover.

WARNING!

Make sure that water supply line, drain line and branch circuit wiring do not touch any exposed terminals of dishwasher wiring.

When house wiring is aluminium, use UL listed aluminium to copper connectors.

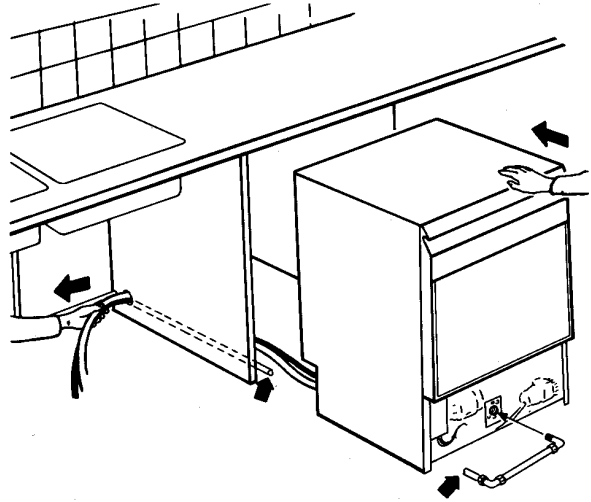
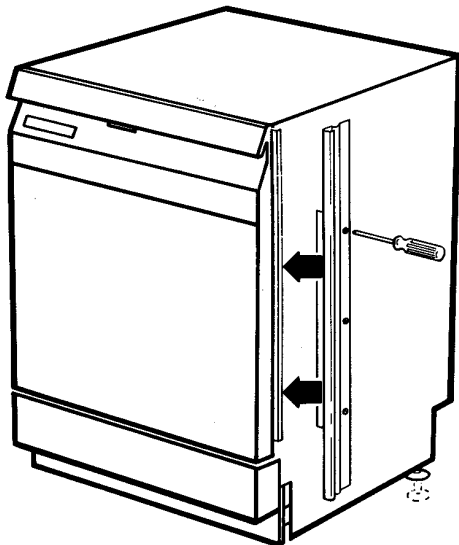
Push the machine into its position

1. Pull out the drain hose to ensure that there are no sharp bends.
2. Remove the lower panel and push the machine into the place prepared for it.
3. Check that the electrical cables are grounded. Connect the electricity supply as shown on page 8–9.
4. Connect the remaining pipes for the water supply and connect it to the machine as shown on page 6. Make sure that there are no leaks and that water can not come in contact with live parts.
5. Make adjustments.
6. Fasten the machine.
7. Test the installation.

Note!

It may be necessary to install a wood trim above the dishwasher if the standard toe space is maintained or you can raise the dishwasher to fit using the leveling legs.

BE CAREFUL OF SHARP EDGES!

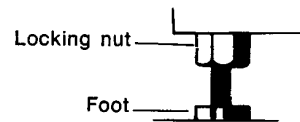


Adjusting the feet

Adjust the feet of the machine with a 1/2" (12 mm) wrench to fit the opening.

The machine may have an inclination of maximum 2°.

When the feet are adjusted, tighten the locking nuts.



If the leveling legs are adjusted to over 1 1/2" (38 mm), use the large locking nuts which are packed with the unit.

Securing trim strips

If the space for the dishwasher is somewhat larger than the machine so that there are gaps between the machine and the cabinet, the gaps can be filled by the trim strips supplied with the machine.

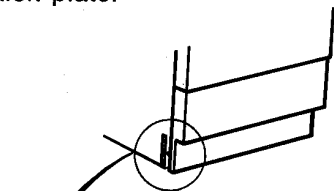
Fasten the strips along the side of the machine as follows:

1. Remove the strips by cutting the tape.
2. Center retaining bracket on the trim strip supplied and mount it on the edge of the existing trim strip and adjust to proper height.
3. Tighten the three retaining screws.

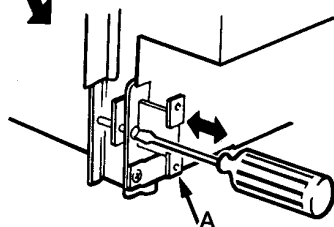
Adjusting the base depth

1 Adjust the base depth as follows:

Start by removing the lower panel and the kick plate.

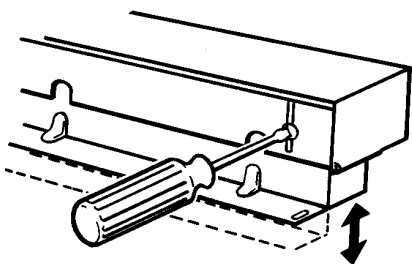


2 Then, if necessary, loosen the two screws holding the kick plate bracket. Turn clockwise to extend kick plate out.



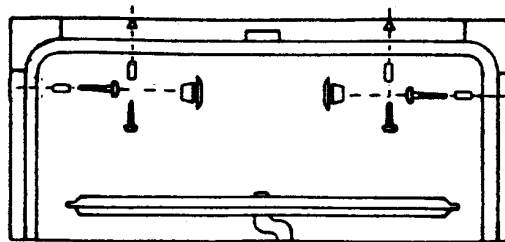
Use **A** and screws packed with the unit at max. height.

3 Finally adjust the lower cover to its correct depth, using the screws on its underside.



Fasten the dishwasher to the cabinet

Fasten the machine to a kitchen cabinet using wood screws supplied.

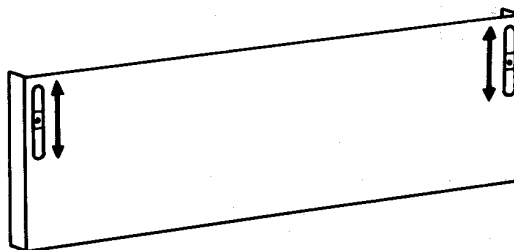


Note!

It is necessary to secure the dishwasher with screws, so that it does not tilt, if something heavy is placed on the door.

Adjusting the base height

The kick plate is provided with elliptical holes, making it possible to adjust the height of the plate. Adjust the plate in a way that it maintains contact with the floor.



NOTE!

When the machine is properly attached, check that the feet are tight against the floor. Also check that the machine is levelled.

TESTING THE INSTALLATION

- Turn on the water supply and check for leaks.
- Test dishwasher operation, by running the "rinse and hold" cycle.
- Turn off the electrical power and check for leaks under the dishwasher. Make sure that no kinks have developed in the drain lines.
- The lower panel and kick plate must be replaced.
- This completes dishwasher installation. For more information about the dishwasher, refer to your Instruction book How to use your Cylinda.

Procedure for changing the front panel

CAUTION! Turn the power supply to the machine off first.

Lower panel

1. Undo the lower panel by unscrewing the attachment screws at the bottom.
2. Remove the screws from the lower decor molding and loosen the other screws. Remove the panel and replace it with the new one.
3. Screw the molding in position and tighten the remaining screws.

Fit the upper panel before refitting the lower panel to the machine.

Upper panel

1. Remove the attachment screws and the molding on one side (left or right).
2. Loosen the other screws and pull out the panel carefully.
3. Push in the new one carefully. Screw the side molding in position. Tighten the other screws.
4. Refit the lower panel.

